

MATERIAL
RUBBER & STEEL

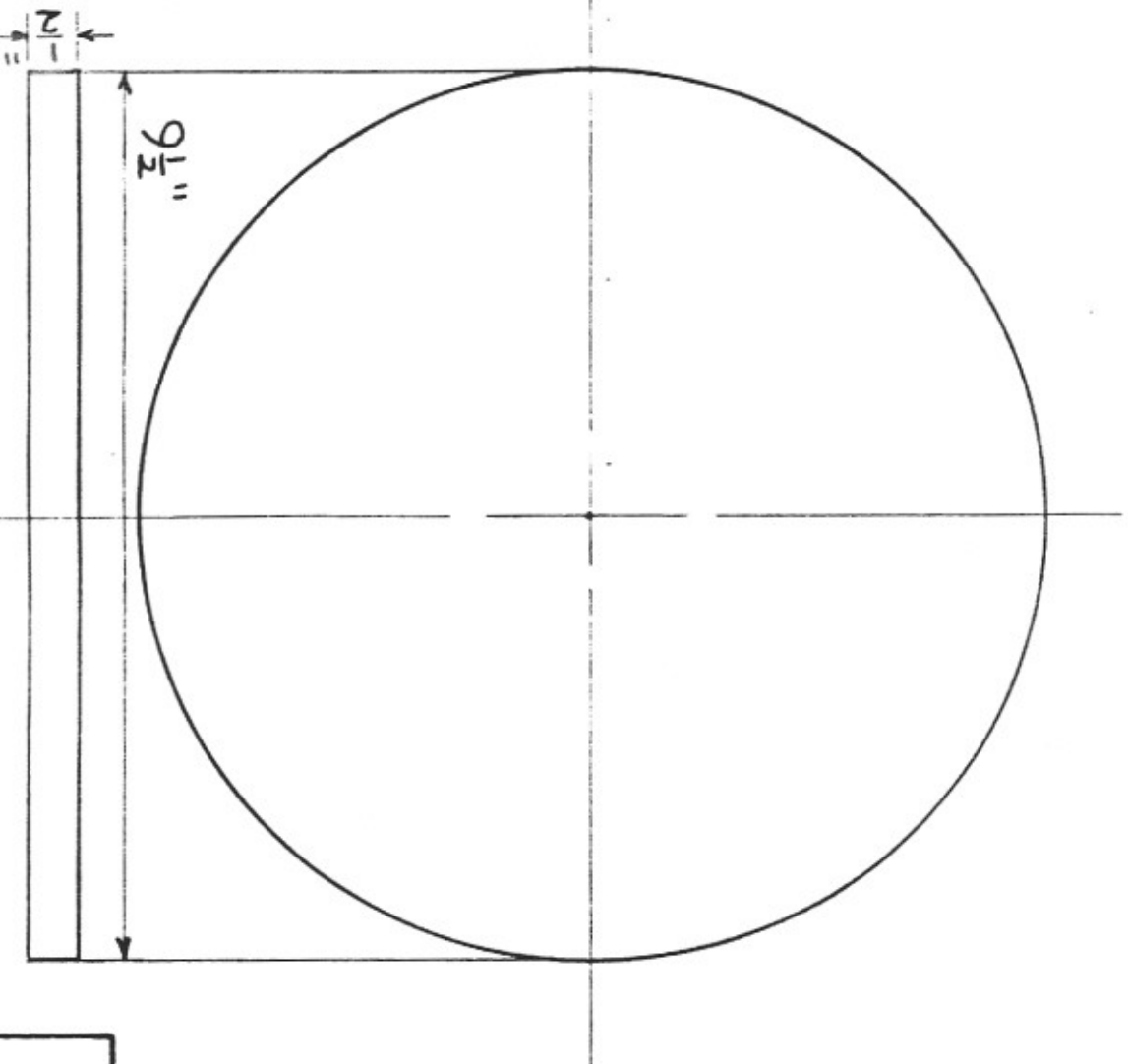
POWER PARTS COMPANY
 1860 NORTH WILMOT AVENUE
 CHICAGO, ILLINOIS 60647

Distributor for
UNIROYAL

PAD-TRUCK BOLSTER STOP
 O.E.M.# PULLMAN STD. 129-T-22-D
 BUDD F-99-52112

ORDERING REFERENCE P.P.C. D4927

USED ON	
6994	N.P.
6990	500 LINE
6988	N.P.
6985	A.C.L.
6984	A.C.L.
6983	A.C.L.
6844	50 CARS UPRR



MATERIAL
UNIROYAL 15175

POWER PARTS COMPANY

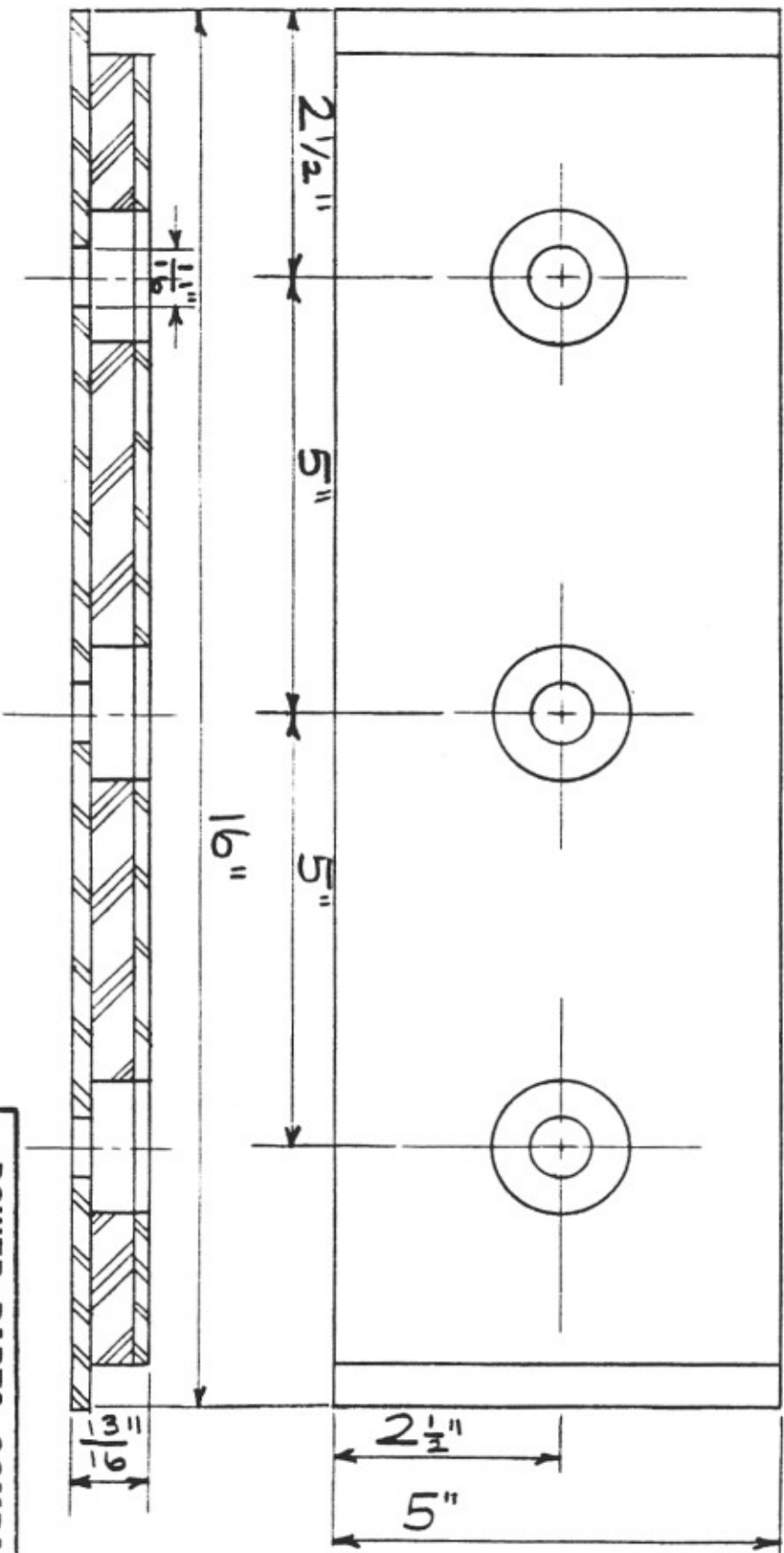
1860 NORTH WILMOT AVENUE
CHICAGO, ILLINOIS 60647

Distributor for
UNIROYAL

PAD - EQUALIZER SPRING

O.E.M. # PULLMAN STD. 132-A-21

ORDERING REFERENCE P.P.C. 8240



MATERIAL

RUBBER & STEEL

POWER PARTS COMPANY

1860 NORTH WILMOT AVENUE
CHICAGO, ILLINOIS 60647

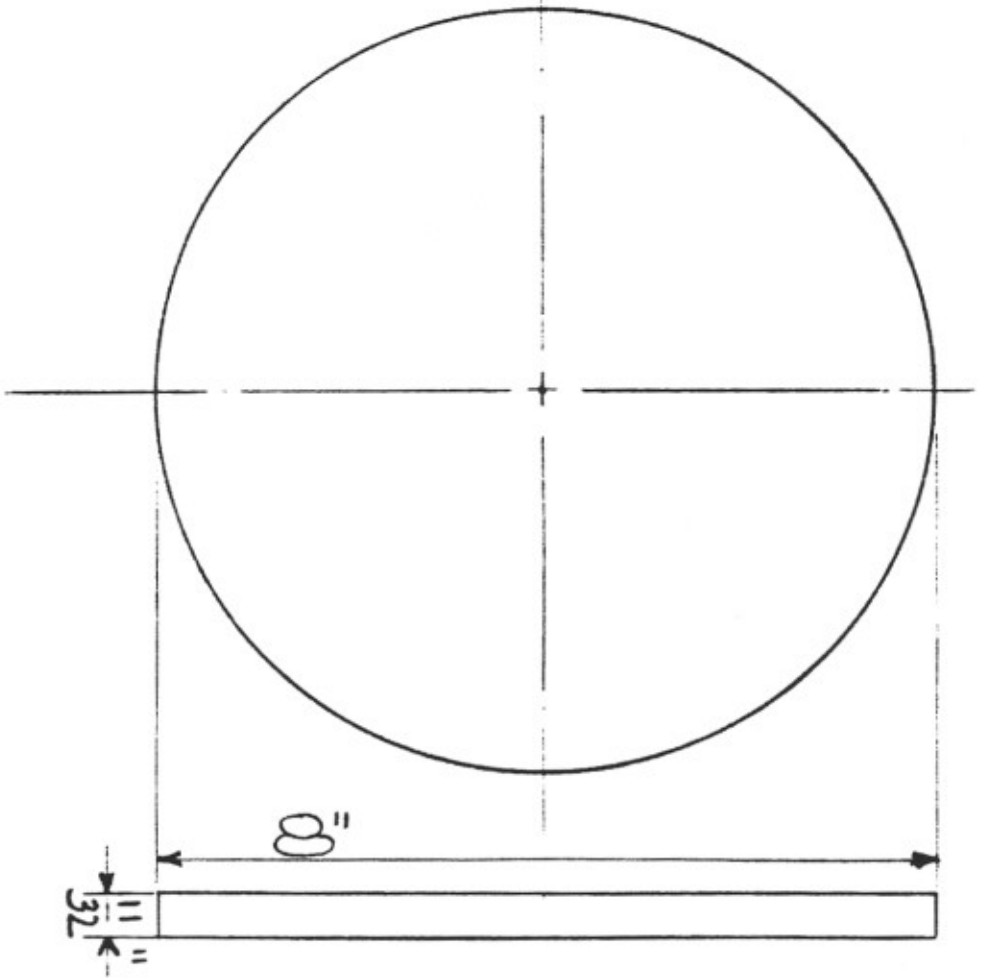
Distributor for
UNIROYAL

PAD - WEAR PLATE

OEM.# PULLMAN STD 137-C-41

BUDD 99-9807

ORDERING REFERENCE P.P.C. D1448



MATERIAL
UNIROVAL 15175

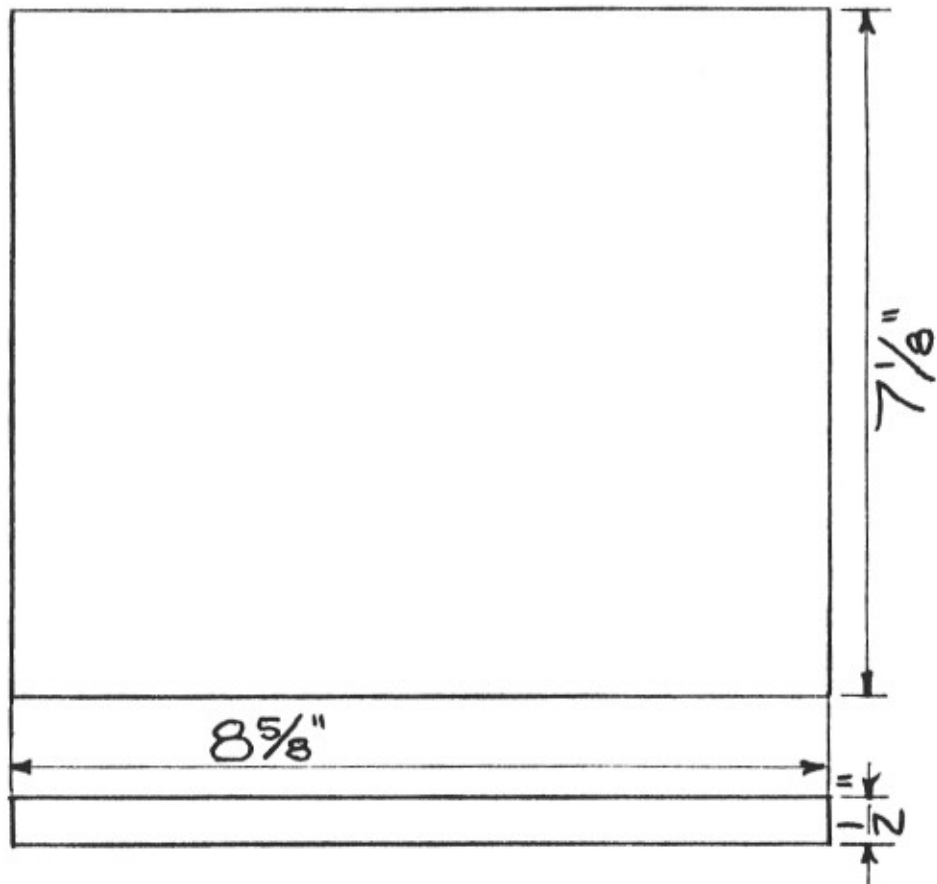
POWER PARTS COMPANY
1860 NORTH WILMOT AVENUE
CHICAGO, ILLINOIS 60647



PAD-EQUALIZER SPRING

O.E.M.# PULLMAN STD. 144-T-15

ORDERING REFERENCE P.P.C.9118



MATERIAL -

UNIROYAL 15175

USED ON

494-498	TRAVELLER'S CARS
500-517	DELUXE COACHES
581-585	" "
588-597	" "
200-207	BAGGAGE CARS
210-239	" "
314	DOME SLEEPER
549	DOME COACH
459-463	DINING CARS
YELLOWSTONE RIVER	BUSINESS CAR
406	WATER-BAGG. CAR
578-580	DAY-NITE COACHES
430	MAIL-DORM CAR

REFERENCE

N. PACIFIC DWG 51798

POWER PARTS COMPANY

1860 NORTH WILMOT AVENUE
CHICAGO, ILLINOIS 60647

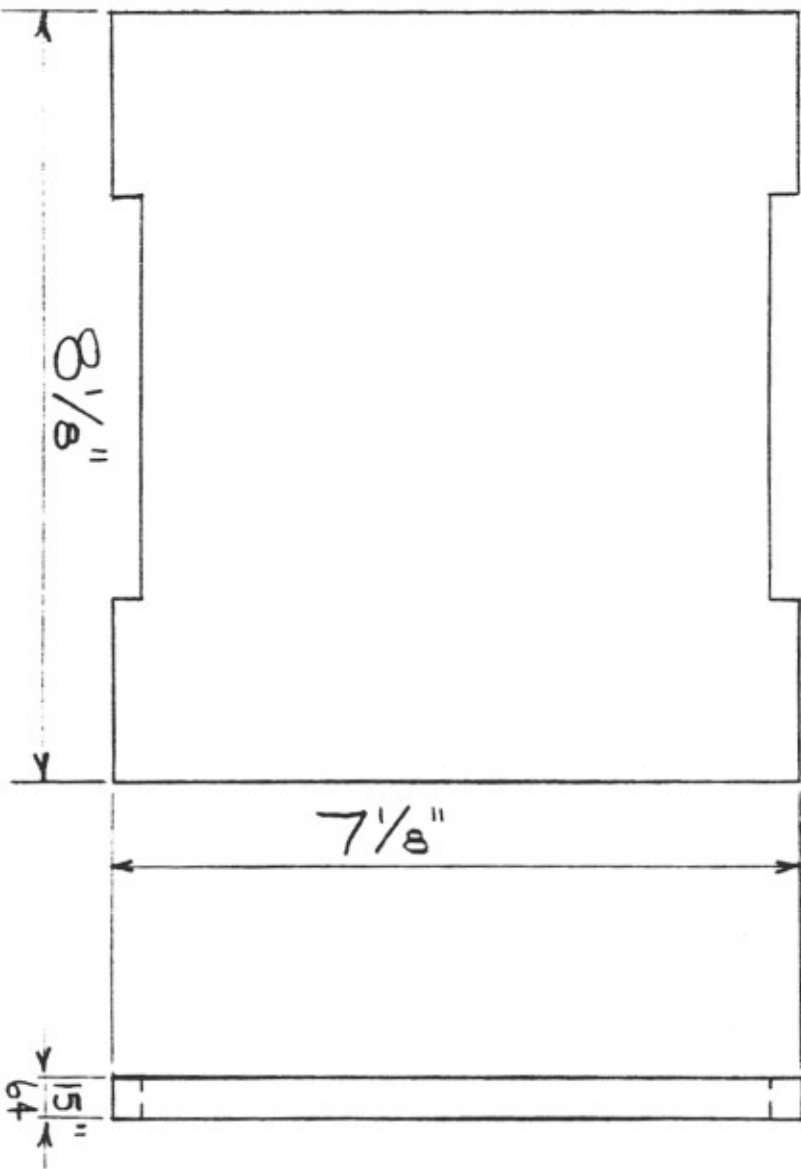
Distributor for

UNIROYAL

TAD

O.E.M.# TIMKEN K-21083

ORDERING REFERENCE P.P.C. 2094



MATERIAL—

UNIROYAL 15175

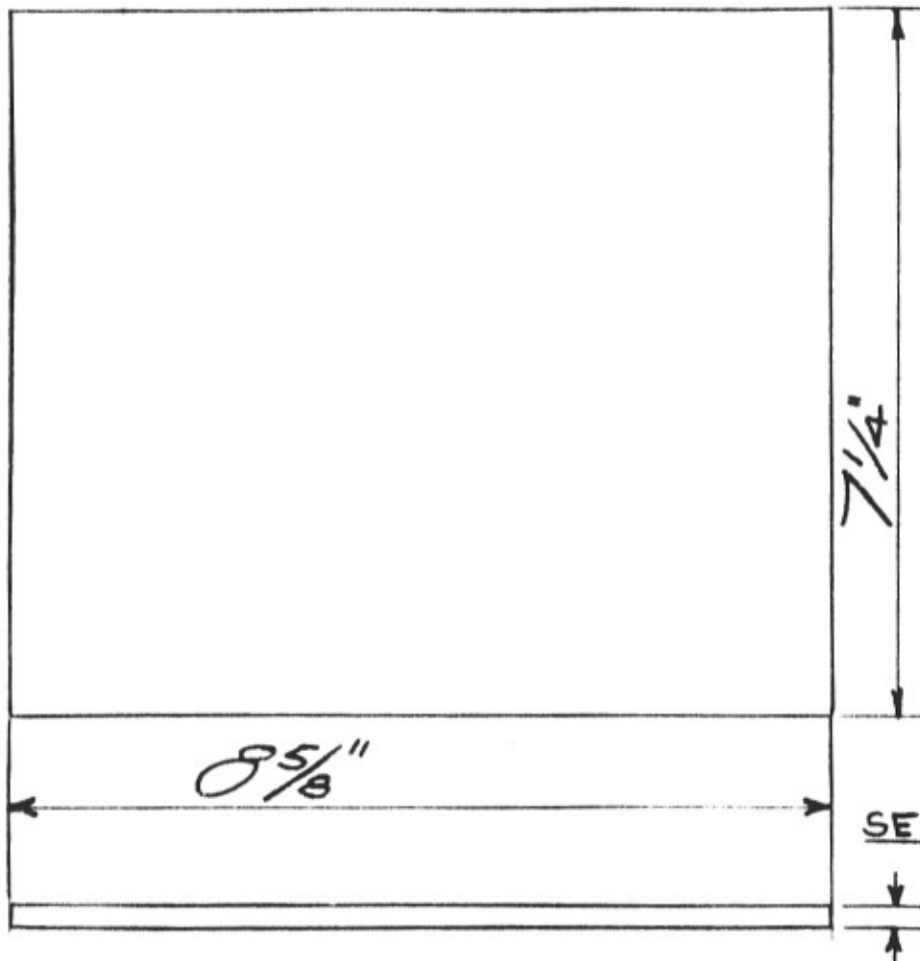
POWER PARTS COMPANY
 1860 NORTH WILMOT AVENUE
 CHICAGO, ILLINOIS 60647

Distributor for
UNIROYAL

PAD

O.E.M.# TIMKEN K-25843

ORDERING REFERENCE P.P.C. 8260



MATERIAL
UNIROYAL 15175

- USED ON -	
5700-5710	STOR.- MAIL
5900-5902	60" MAIL APT.
5811-5813	30" MAIL APT.
6000-6008	BAGG.-DORM.
5000-5006	CAFE-LOUNGE
4800-4816	DINER
6100-6105	CLUB
6200-6208	CLUB-LOUNGE
AMERICAN & WESTERN BUILT BY A.C.F.	
- SLEEPERS -	

THICKNESS	O.E.M.#	ORDERING REFERENCE
15/64"	K-28030	P.P.C. 4219
1/4"	K-77730	P.P.C. 4218

REFERENCE
UNION PACIFIC

D.W.G. 300 CB 25062

POWER PARTS COMPANY

1860 NORTH WILMOT AVENUE
CHICAGO, ILLINOIS 60647

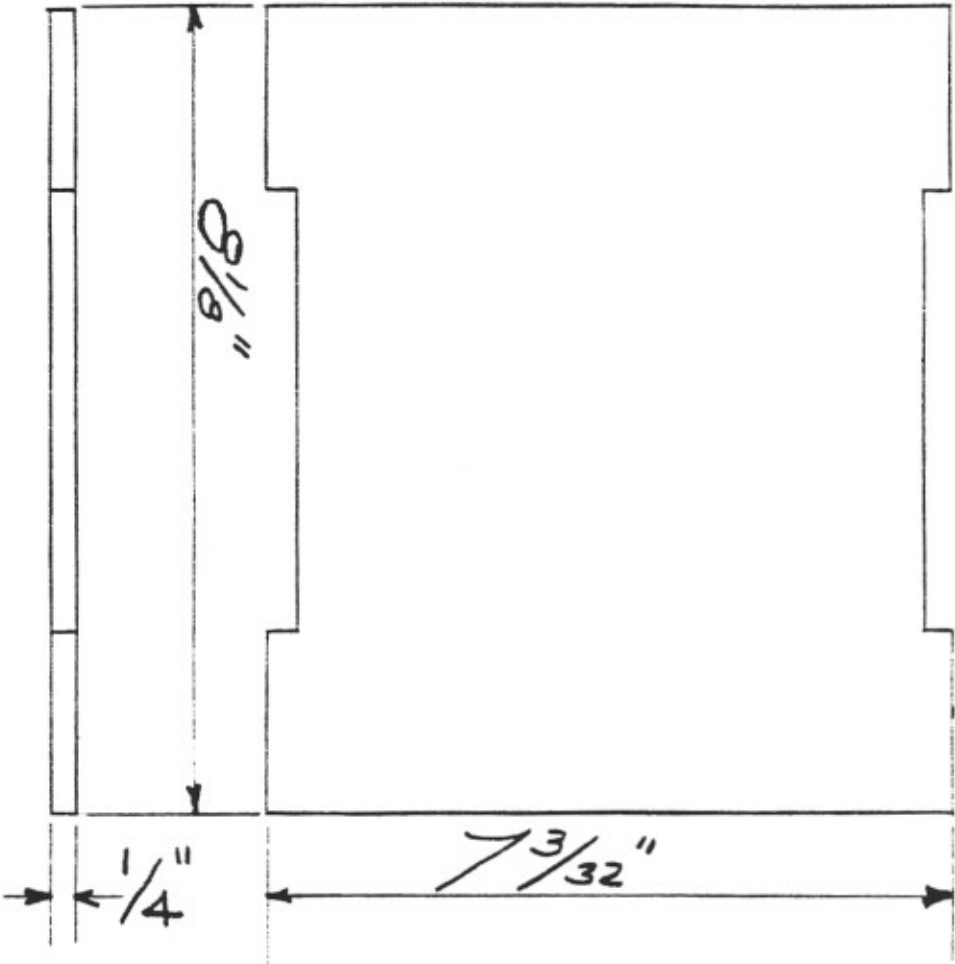
Distributor for

UNIROYAL

PAD

O.E.M.# TIMKEN (SEE TABLE)

ORDERING REFERENCE (SEE TABLE)



MATERIAL
UNIROYAL 15175

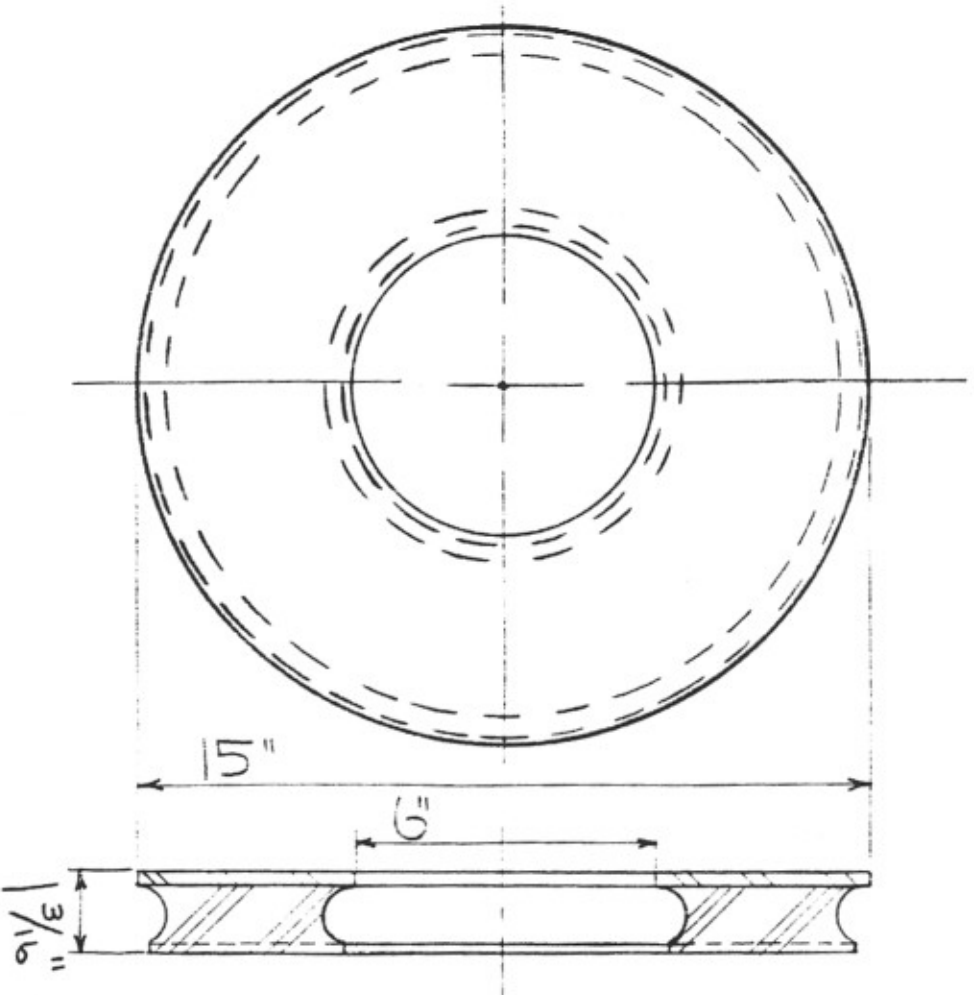
POWER PARTS COMPANY
 1860 NORTH WILMOT AVENUE
 CHICAGO, ILLINOIS 60647

Distributor for
UNIROYAL

PAD

OE.M.# TIMKEN T-71522-A

ORDERING REFERENCE P.P.C.1643

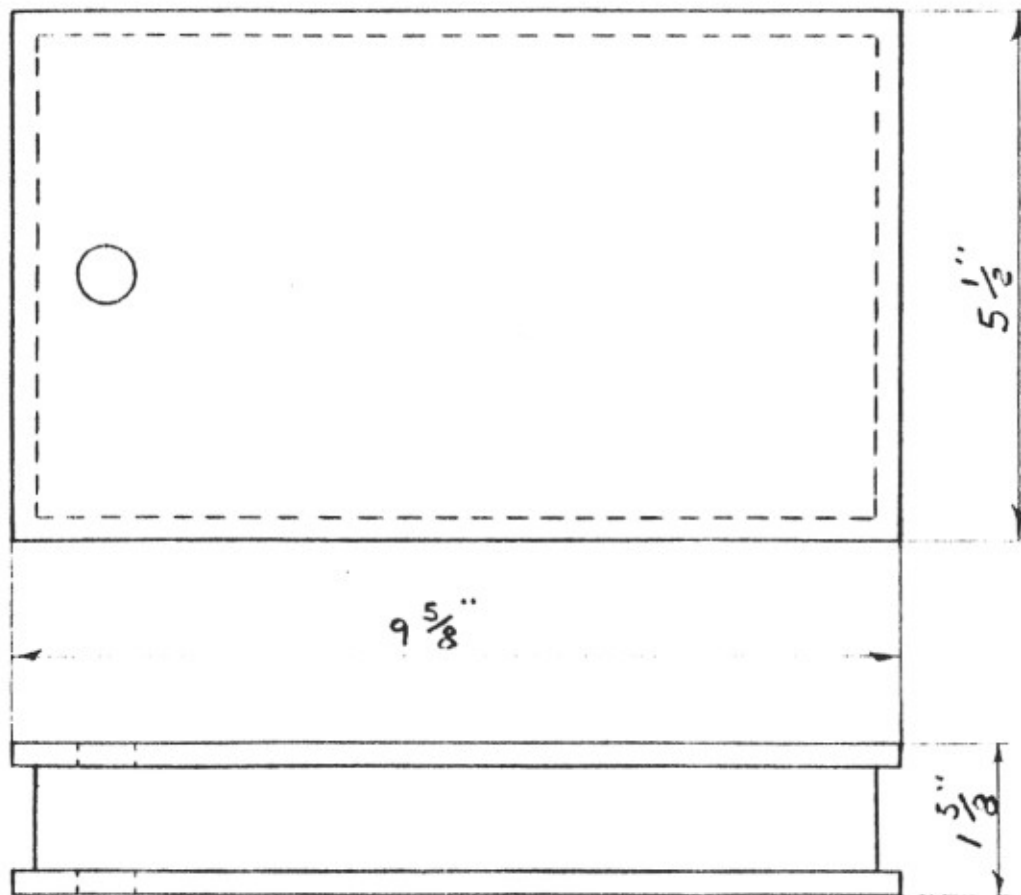


MATERIAL
STEEL & RUBBER

POWER PARTS COMPANY
 1860 NORTH WILMOT AVENUE
 CHICAGO, ILLINOIS 60647

Distributor for
UNIROYAL

PLATE-INSULATION CTR. BRG.
 O.E.M.# BUDD 99-50330
 ORDERING REFERENCE P.P.C. D1475



MATERIAL - STEEL - RUBBER

REF. - SANTA FE SHOP CARD #20546

POWER PARTS COMPANY

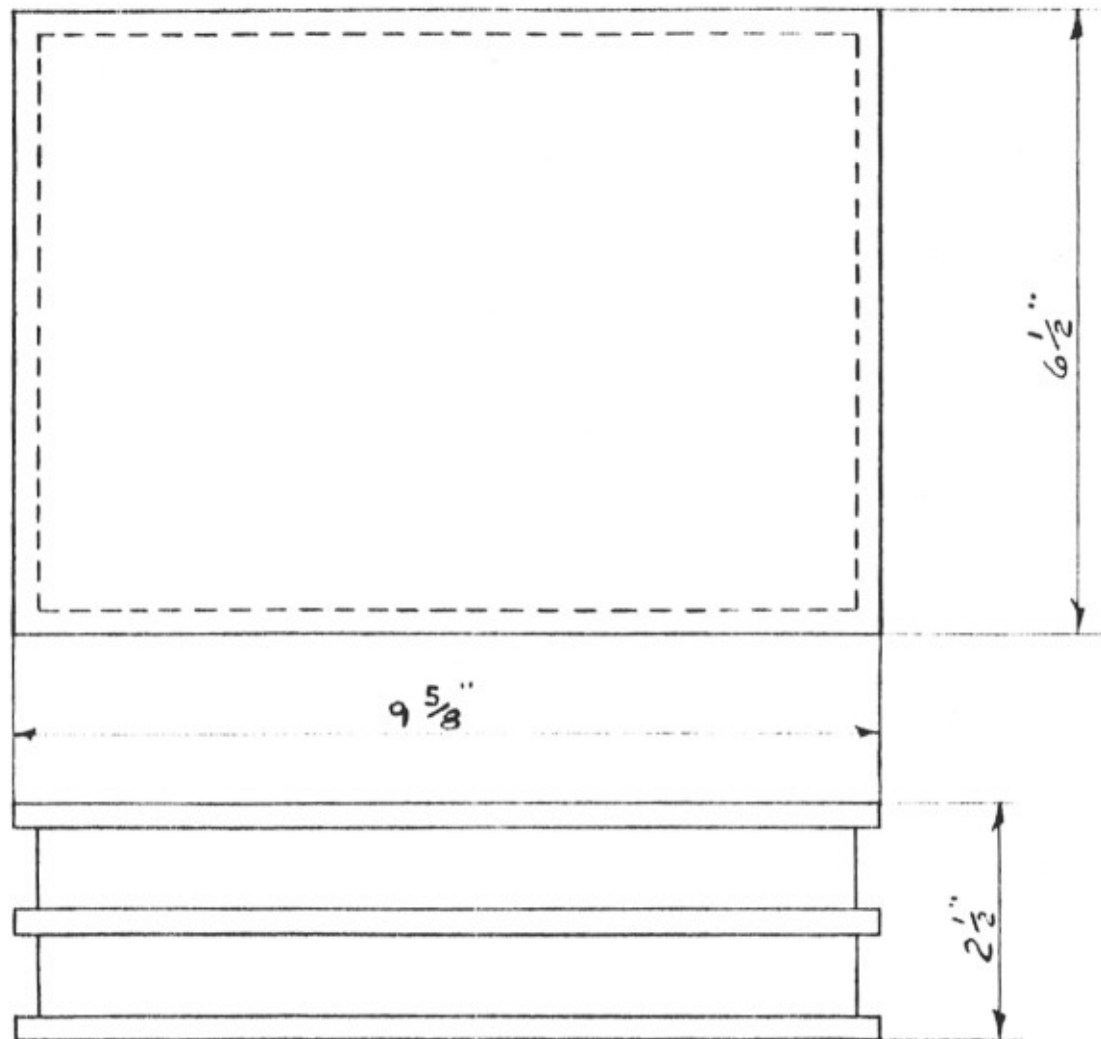
1860 NORTH WILMOT AVENUE
CHICAGO, ILLINOIS 60647

Distributor for
UNIROYAL

SANDWICH - BOLSTER STABILIZER

OEM # GSI-25242-1-A

ORDERING REFERENCE - PPC-6927



MATERIAL - STEEL - RUBBER

USE WITH BOLSTER STABILIZER 451-25358

POWER PARTS COMPANY

1860 NORTH WILMOT AVENUE
CHICAGO, ILLINOIS 60647

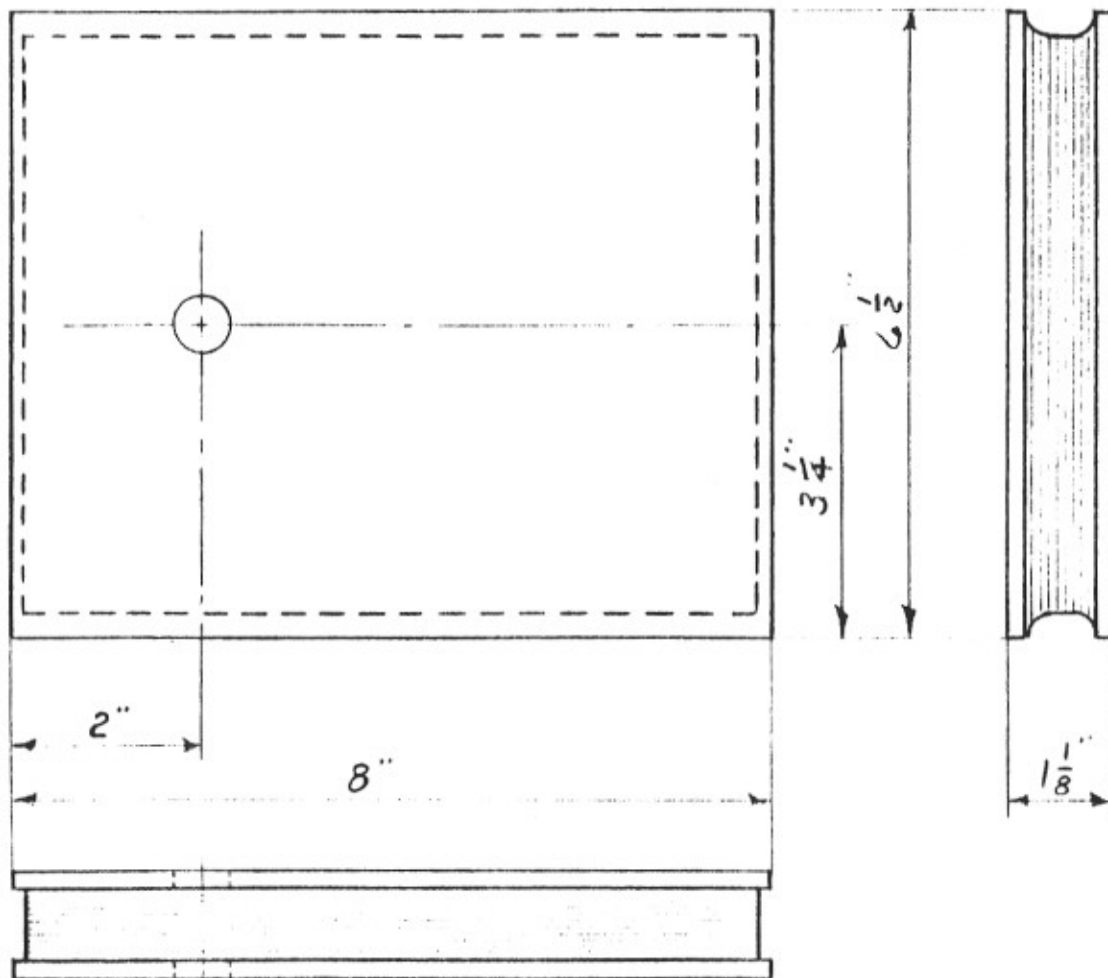
Distributor for

UNIROYAL

SANDWICH - BOLSTER STABILIZER

OEM # 451-25242-2

ORDERING REFERENCE - PFC-6928



MATERIAL - STEEL & RUBBER

POWER PARTS COMPANY

1860 NORTH WILMOT AVENUE

CHICAGO, ILLINOIS 60647

Distributor for

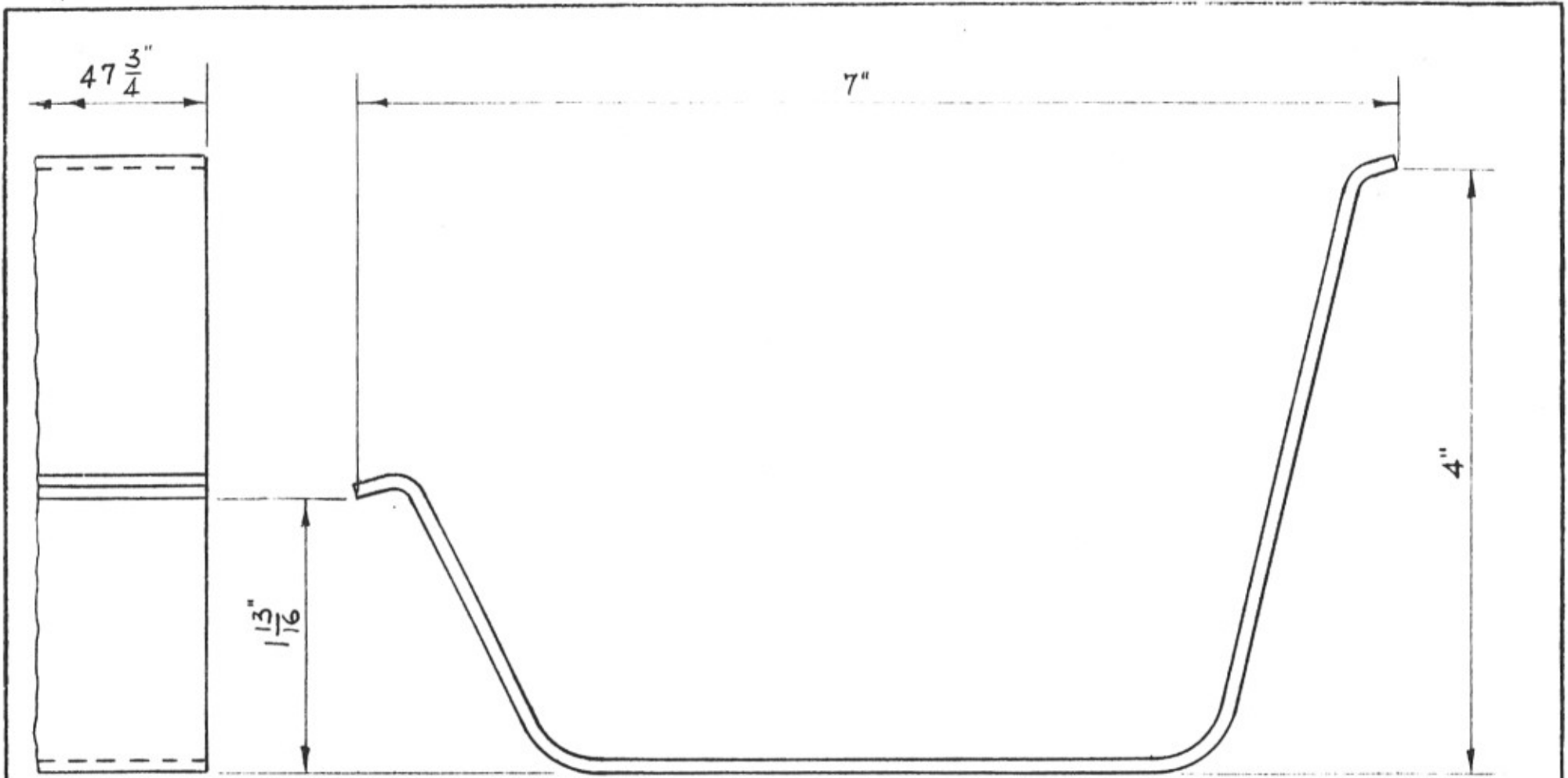


SANDWICH ·

ELECTRIC MOTOR TRUCK

OEM# G.S.I. - 25242 - 18

ORDERING REFERENCE · PPC-2173



MATERIAL: .100" THK. - WHITE ACRYLIC

POWER PARTS COMPANY

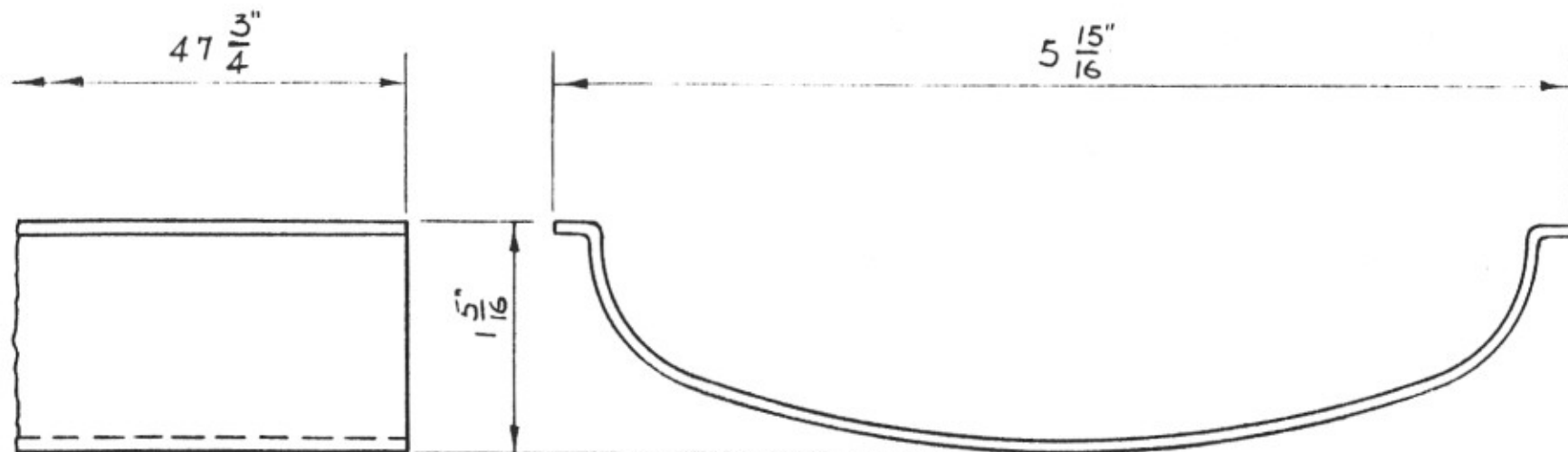
1860 NORTH WILMOT AVENUE
CHICAGO, ILLINOIS 60647

Distributor for
UNIROYAL

SHADE

OEM NO. CNW D-126-3

ORDERING REFERENCE PPC 13912



MATERIAL: .100" THK. - WHITE ACRYLIC

POWER PARTS COMPANY

1860 NORTH WILMOT AVENUE
CHICAGO, ILLINOIS 60647

Distributor for

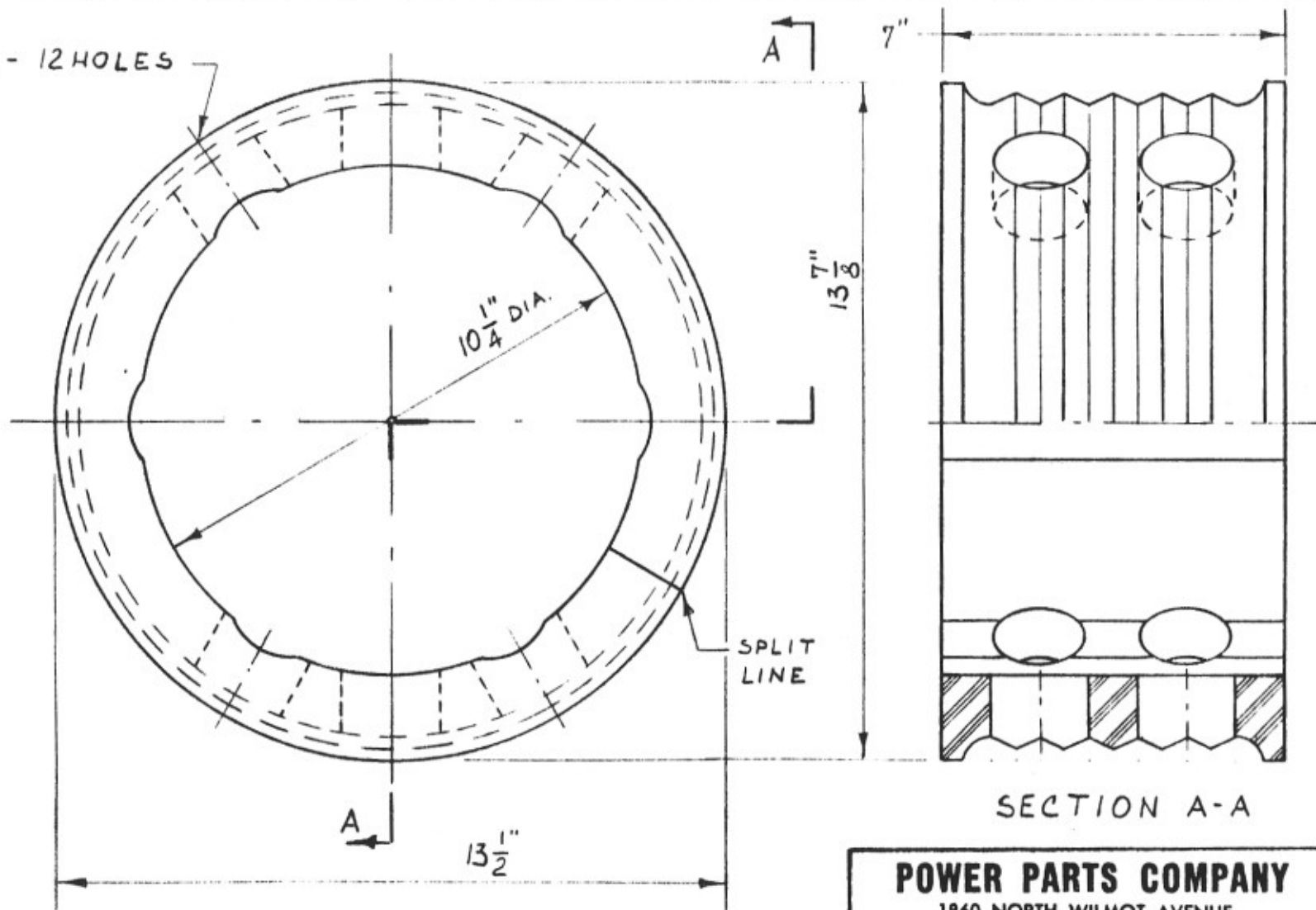
UNIROYAL

SHADE

OEM NO. CNW D-216-1

ORDERING REFERENCE PPC

2" DIA. - 12 HOLES



SPLIT
LINE

SECTION A-A

MATERIAL: NEOPRENE

FOR M-1 CARS (4 PER TRUCK)

POWER PARTS COMPANY

1860 NORTH WILMOT AVENUE
CHICAGO, ILLINOIS 60647

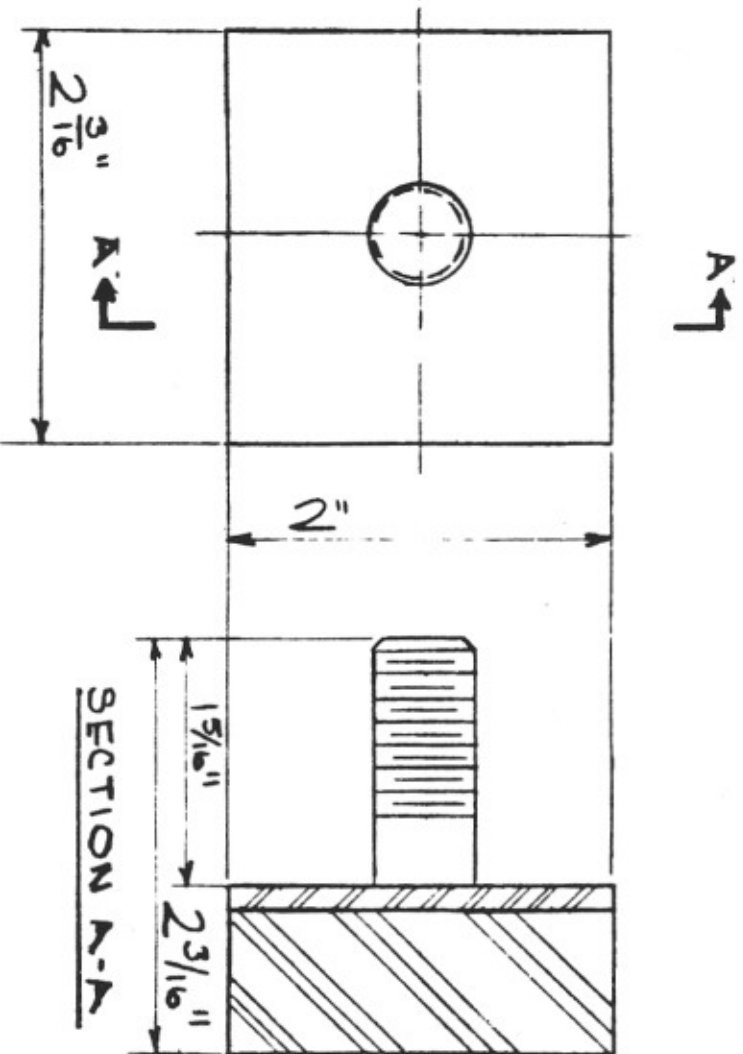
Distributor for

UNIROYAL

SHOCK RING JOURNAL

OEM NO. BUDD D-99-57885

ORDERING REFERENCE PPC 12833



MATERIAL
RUBBER & STEEL

USED ON	
6988B	NORTHERN PACIFIC
69994	"
69885	ATLANTIC COAST LINES
69884	"
69883	"
69889	A.T. & S.F. R.R.
70004	"
69990	SOO LINE
69991	SOUTHERN R.W.Y
69996	CHICAGO & NORTHWESTERN
69997	"
69998	"
69999	"
70002	"
7002A	"

POWER PARTS COMPANY

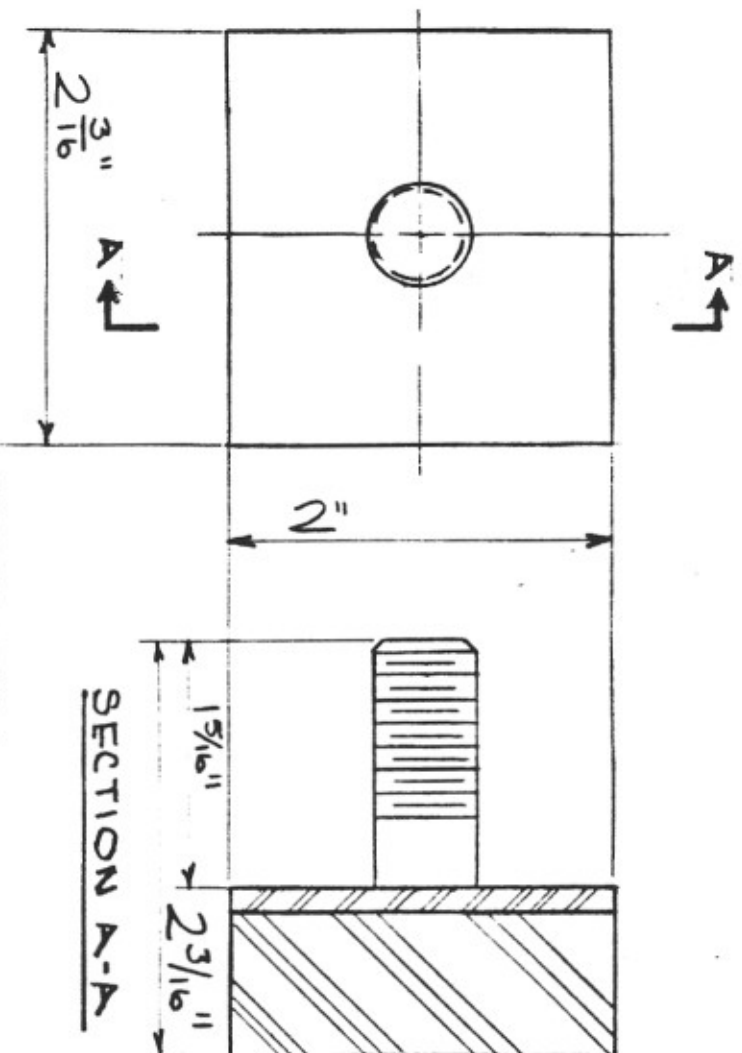
1860 NORTH WILMOT AVENUE
CHICAGO, ILLINOIS 60647

Distributor for
UNIROYAL

STOP - COUPLER CARRIER

O.E.M. PULLMAN STD. 141-T-69-X

ORDERING REFERENCE P.P.C. 6987



MATERIAL
RUBBER & STEEL

USED ON	
6988B	NORTHERN PACIFIC
6994	" "
6985	ATLANTIC COAST LINES
6984	" " " "
6983	" " " "
6989	A.T. & S.F. R.R.
7004	" " " "
6990	SOO LINE
6991	SOUTHERN R.WY.
6996	CHICAGO & NORTHWESTERN
6997	" " " "
6998	" " " "
6999	" " " "
7002	" " " "
7002-A	" " " "

POWER PARTS COMPANY

1860 NORTH WILMOT AVENUE
CHICAGO, ILLINOIS 60647

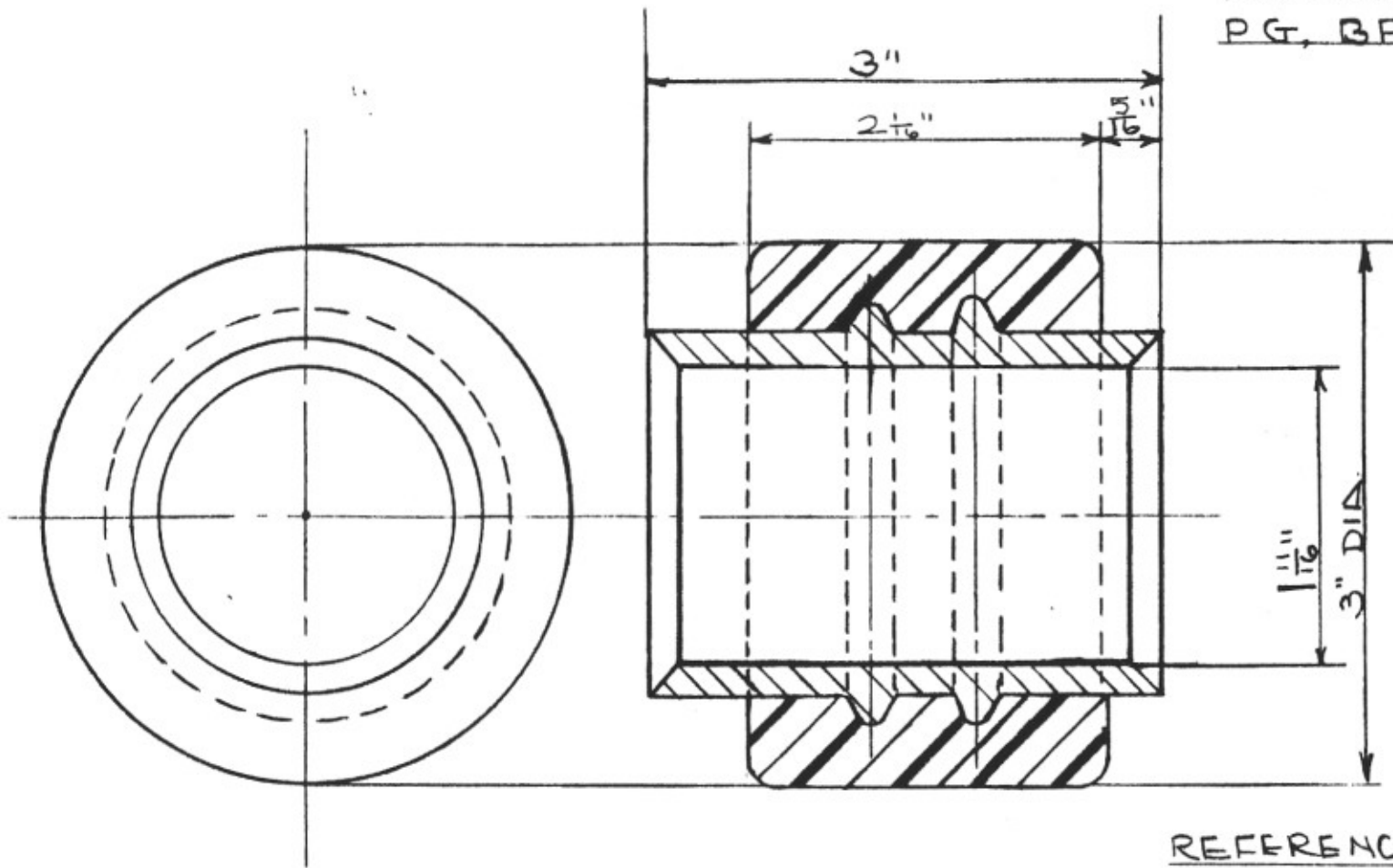
Distributor for
UNIROYAL

STOP - COUPLER CARRIER

O.E.M. # PULLMAN STD. 155-A-19

ORDERING REFERENCE P.P.C. 6987

PASS. CARS-CLASS P.M.
P.G. B.P.D. 8 PER CAR



MATERIAL
RUBBER-STEEL

REFERENCE - N.E.W. R.Y.
DWG. 39544

POWER PARTS COMPANY

1860 NORTH WILMOT AVENUE
CHICAGO, ILLINOIS 60647

Distributor for

UNIROYAL

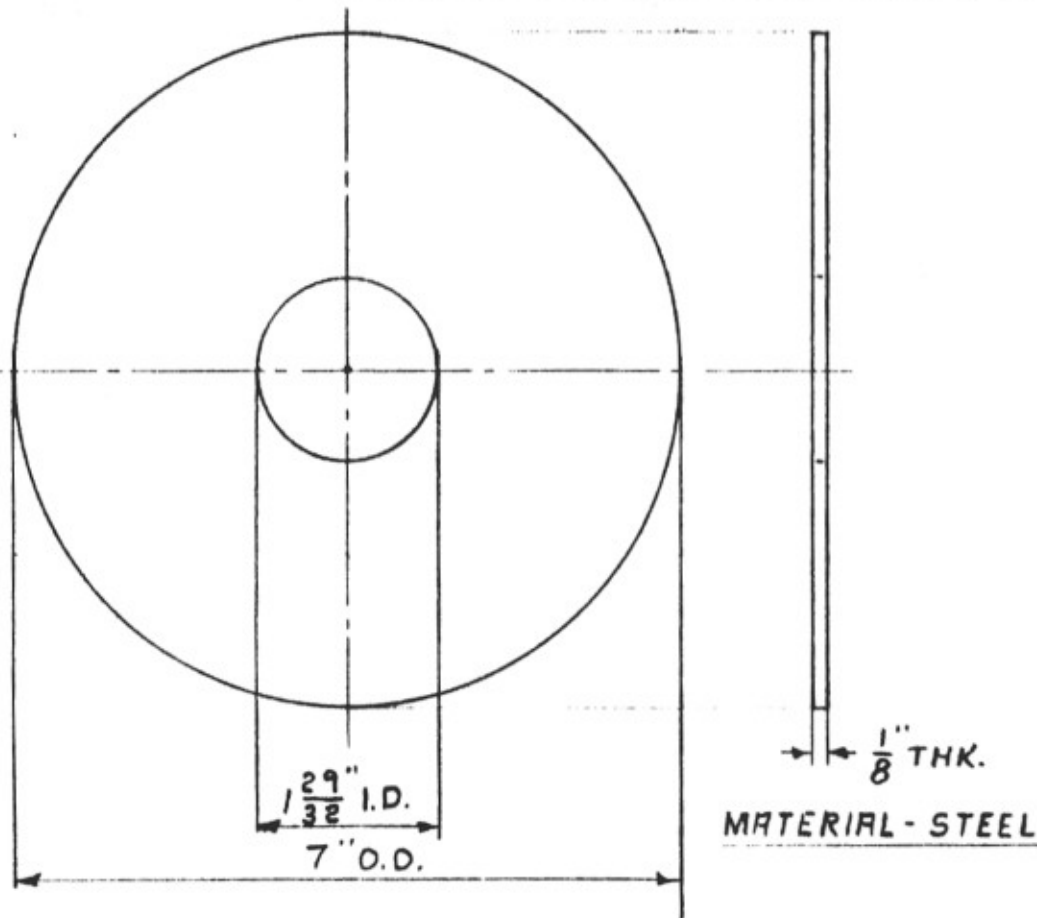
SUPPORT-DIAPHRAM ROD.

O.E.M. # PULLMAN 77-T-86-A

ORDERING REFERENCE P.P.C. D1141

CLASS	USED ON (G.N.RY.)
MAIL-BAGG.	377042, 1108, 1100-1104
BRGG.	266-276
LGE.LNCH-DORM	1140-1144, 1148, 1240-1245
DINER	1150-1155; 1250-1255
COACH	1209-1214, 1219-1232
SLEEPER	1160-1188, 1260-1274, 1370-1384
SL.OBS.LGE	5 P&S-701-702
SL.OBS.LGE.	1197, 1190-1194
OBS.LGE	1290-1295
BUS.CAR	A-12, A-28
COACH DOME	1320-1335

CLASS	USED ON (U.P.)
BAGG-MAIL	5900-5902, 5801-5813
L.C.C.L	5000-5016
CLUB	6100-6105, 1504
BAGG-DORM	6000-6010, 5601-5602 & 5613
DINER	4800-4816
CLUB-LGE	6200-6208, 1516-1522, 1501-1503
SLEEPER	1948 EQPT.-15CARS-NATL-CITY-PLACID-OCEAN
BAGGAGE	5603-5612, 5614-5678
BUS.CAR	101(5448)
CHAIR	5300-5327, 5488-5527,
DORM-KIT-DINER	5110-5113
CHAIR-LOUNGE	5200-5202
CHAIR	5331-5345, 5351-5365
DOME CHAIR	7000-7009, 7011-7015
" DINER	8000-8009
" OBS.	9000-9014
POST. STOR.	5700-5745
" M. "	5903-5911



REFERENCE :

GREAT NORTHERN RY. DWG 4702-1
UNION PACIFIC DWG. 433-CE-24550

POWER PARTS COMPANY

1860 NORTH WILMOT AVENUE
CHICAGO, ILLINOIS 60647

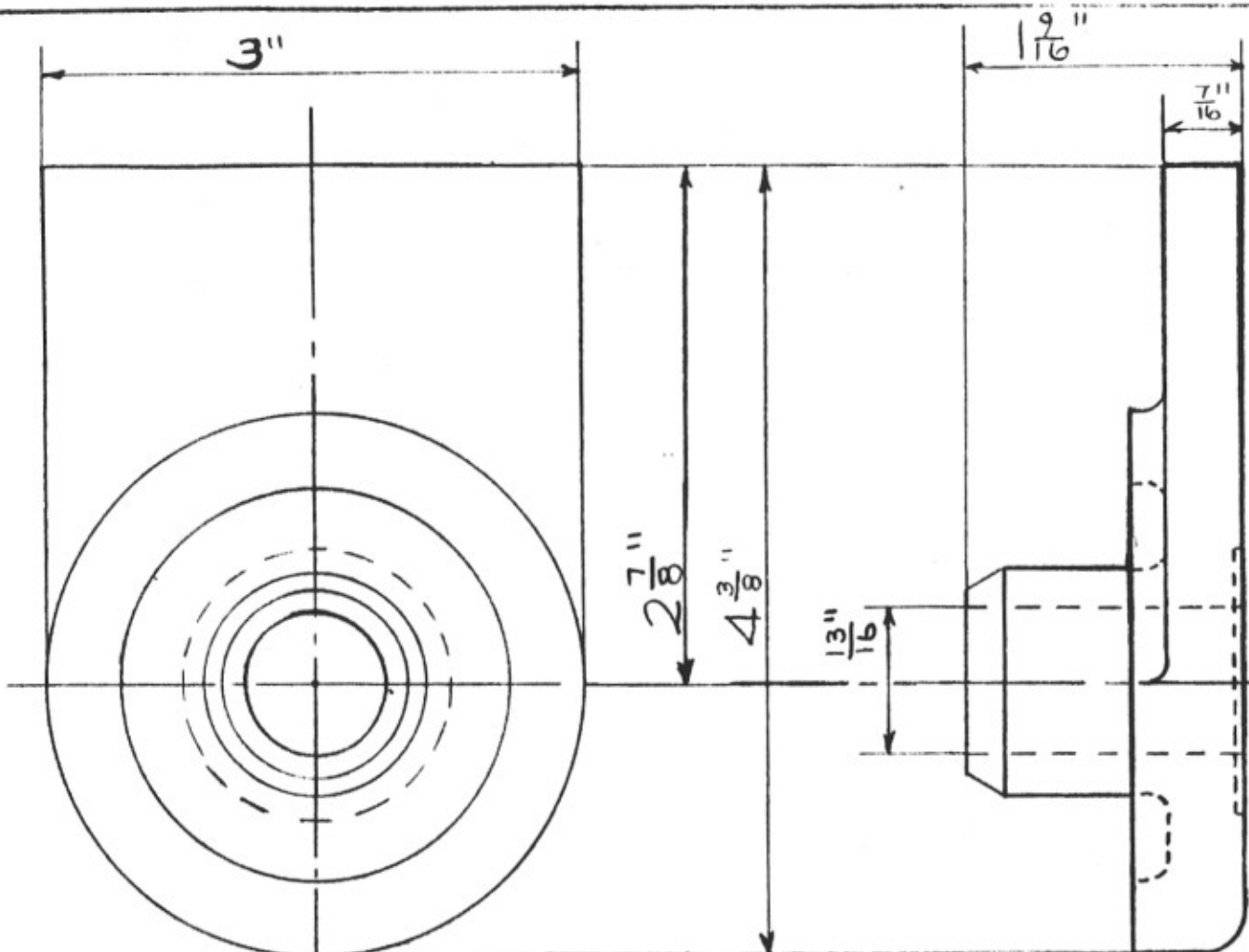
Distributor for

UNIROYAL

WASHER - ADJ. - FOR BOLSTER ANCHOR ROD

O.E.M. # G.S.I. 25817-6

ORDERING REFERENCE - PPC - 8228



MATERIAL
STEEL

USED ON

CHAIR BAGG.	79-CB-1 77-CB-1
CHAIR CAR	79-C-1, 2
ARTIC CHAIR	66-ACW-1, 2 66-ACM-1, 2
ARTIC DINER	70-AD-1, 2, 3, 4 77-DL-1
TAVERN	79-T-1 77-T-1, 2
PARLOR CAR	79-PR-1 77-PR-1
PARLOR-OBS	79-PRO-1, 2 77-PRO-1, 2
ARTIC DINER LOUNG	70-ADL-1, 2
ARTIC CHAIR	64-ACM-1, 2, 3 64-ACW-1, 2, 3
BAGGAGE	77-B-1
DINER	77-D-10, 11
CHAIR	77-C-1, 2, 3
DINER	77-D-10, 11

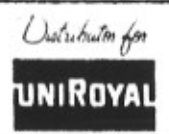
REFERENCE

SOUTHERN PACIFIC

DWG. AP-25537 A

POWER PARTS COMPANY

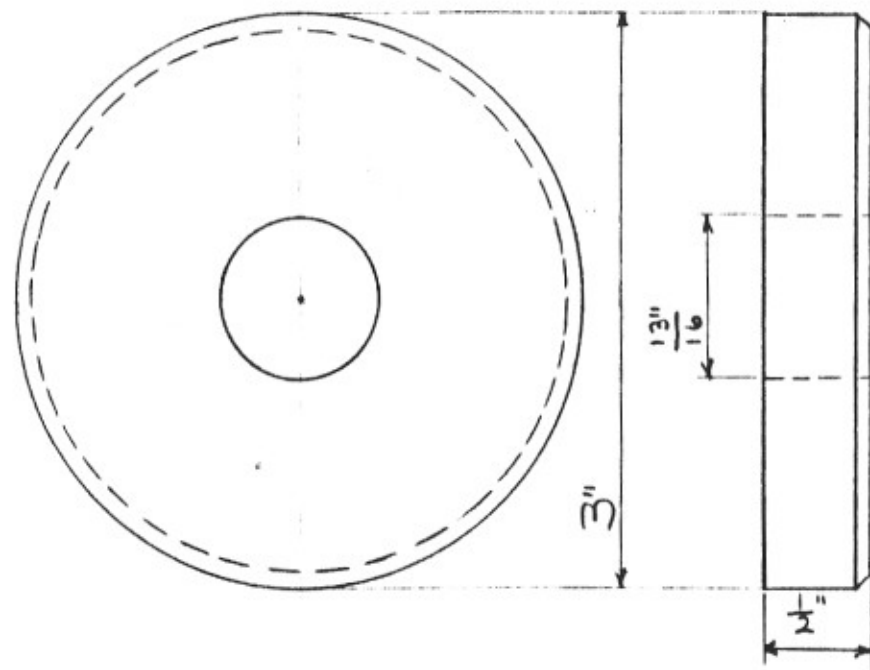
1860 NORTH WILMOT AVENUE
CHICAGO, ILLINOIS 60647



WASHER SOCKET-DIAPHRAGM.CTR. STEM

O.E.M.# PULLMAN STD. 77-T-88-C

ORDERING REFERENCE P.P.C. 8236



MATERIAL
STEEL

USED ON	
CHAIR	79-C-2
ARTIC-CHAIR	66-ACW-2
	66-ACM-2
ARTIC-DINER	57-AD-2
ARTIC-DINER-LOUN.	57-ADL-1
	70-ADL-1,2
PARLOR;OBS.	79-PRO-2

REFERENCE

S. PACIFIC DWG. AP-26062-A

POWER PARTS COMPANY

1860 NORTH WILMOT AVENUE
CHICAGO, ILLINOIS 60647

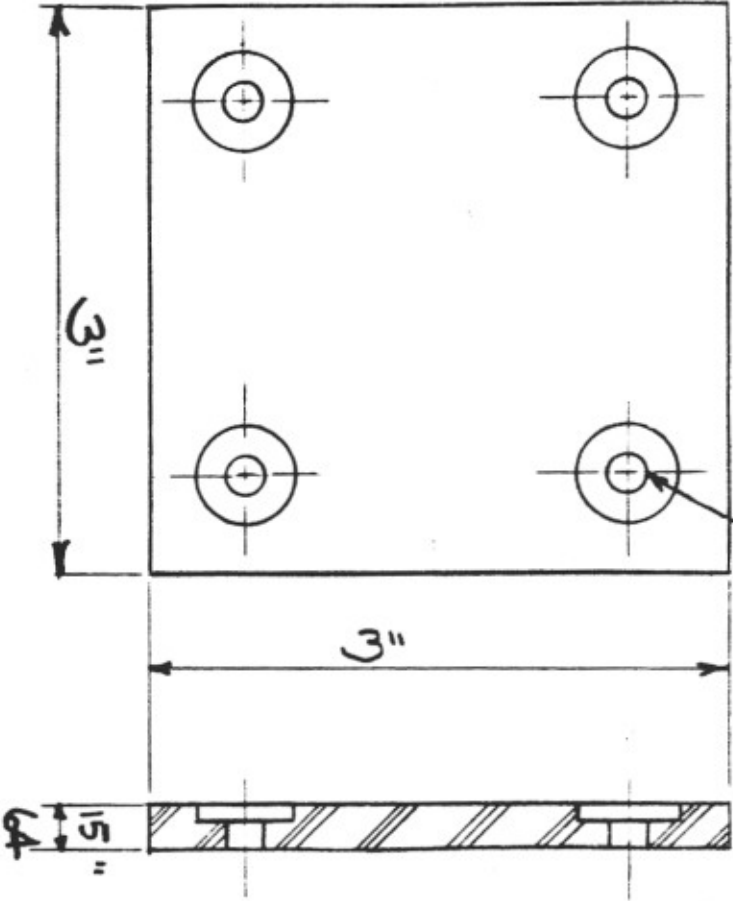
Distributor for

UNIROYAL

WASHER - DIAPHRAGM SOCKET

O.E.M. # PULLMAN STD. 104-A-91-C

ORDERING REFERENCE P.P.C. B23B



4 HOLES - 3/16" DIA.

MATERIAL	PPC #
UNIROYAL 15175	4208
PHENOLIC	10706

REFERENCE - A.T. & S.F. RY.
 DWG. 1117-26-2

POWER PARTS COMPANY

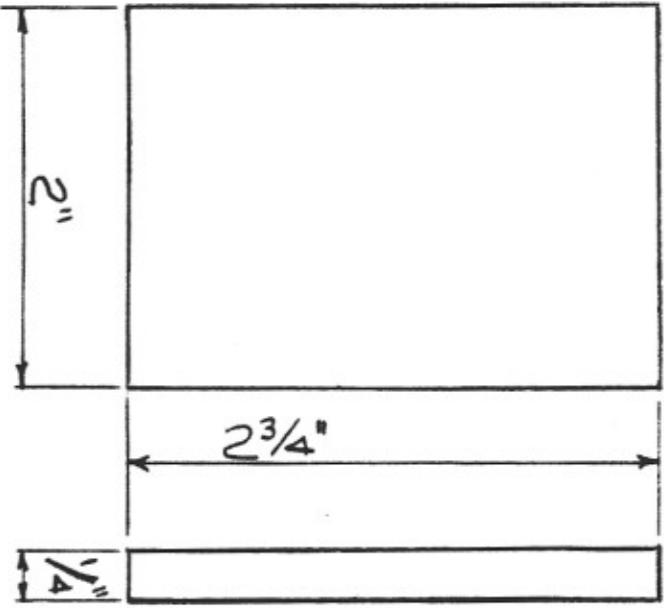
1860 NORTH WILMOT AVENUE
 CHICAGO, ILLINOIS 60647



WEAR PAD - BRAKE RID. STABILIZER

O.E.M.# ATSF 1117 - 26.2

ORDERING REFERENCE P.P.C. (SEE TABLE)



MATERIAL — MANGANESE

POWER PARTS COMPANY

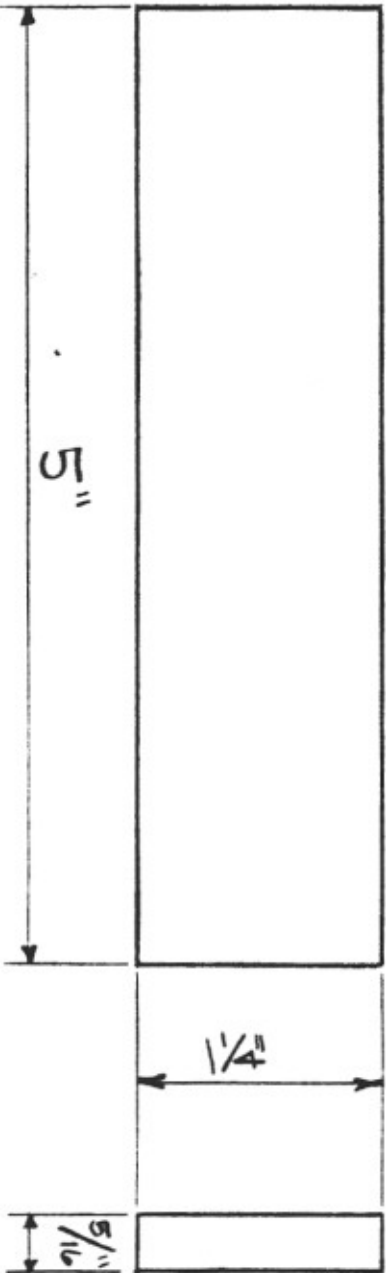
1860 NORTH WILMOT AVENUE
CHICAGO, ILLINOIS 60647

Distributor for
UNIROYAL

WEAR PLATE

O.E.M.# BUDD E-86-04112

ORDERING REFERENCE P.P.C. 8793



MATERIAL — MANGANESE

POWER PARTS COMPANY

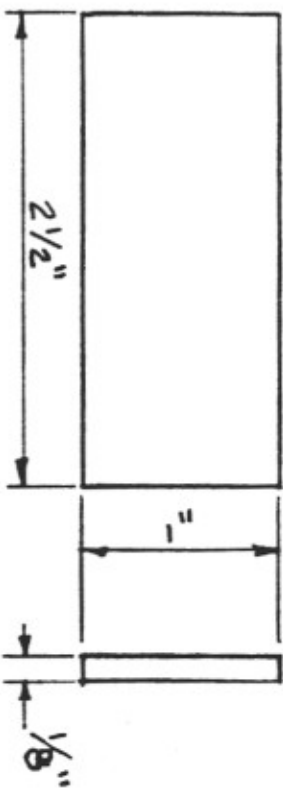
1860 NORTH WILMOT AVENUE
CHICAGO, ILLINOIS 60647

Distributor for
UNIROYAL

WEAR PLATE

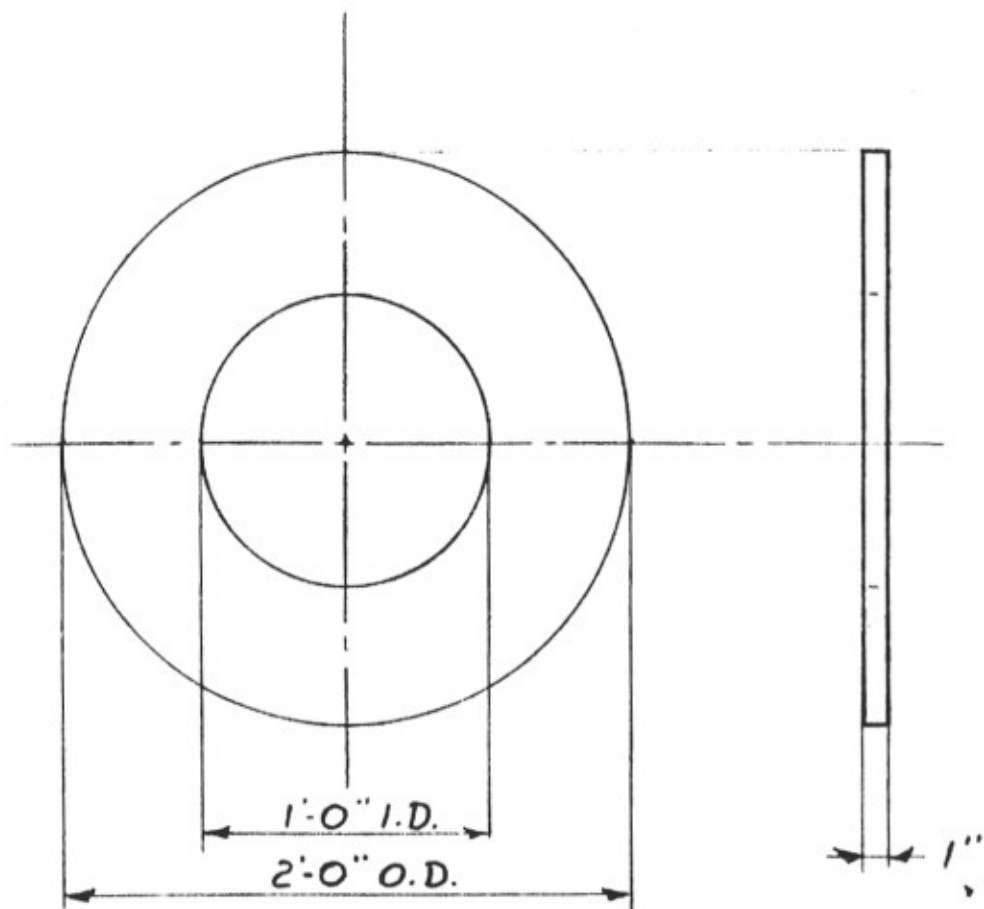
D.E.M.# BUDD E-86-06539

ORDERING REFERENCE P.P.C. 8794-



MATERIAL — MANGANESE

POWER PARTS COMPANY 1860 NORTH WILMOT AVENUE CHICAGO, ILLINOIS 60647	<i>Distributor for</i> UNIROYAL
WEAR PLATE	
OEM # BUDD F-86 -10993	
ORDERING REFERENCE PR 8278	



MATERIAL :

GRAPHITE IMPREGNATED PHENOLIC

CLASS	USED ON
DK DINER	5100-5104
CLUB LOUNGE	1516-1523
CHAIR	5450-5487
DOME CHAIR	7000-7009
DOME DINERS	8000-8009
DOME OBS	9000-9014

REFERENCE - U.P. DWG-431-CB-26310

POWER PARTS COMPANY

1860 NORTH WILMOT AVENUE
CHICAGO, ILLINOIS 60647

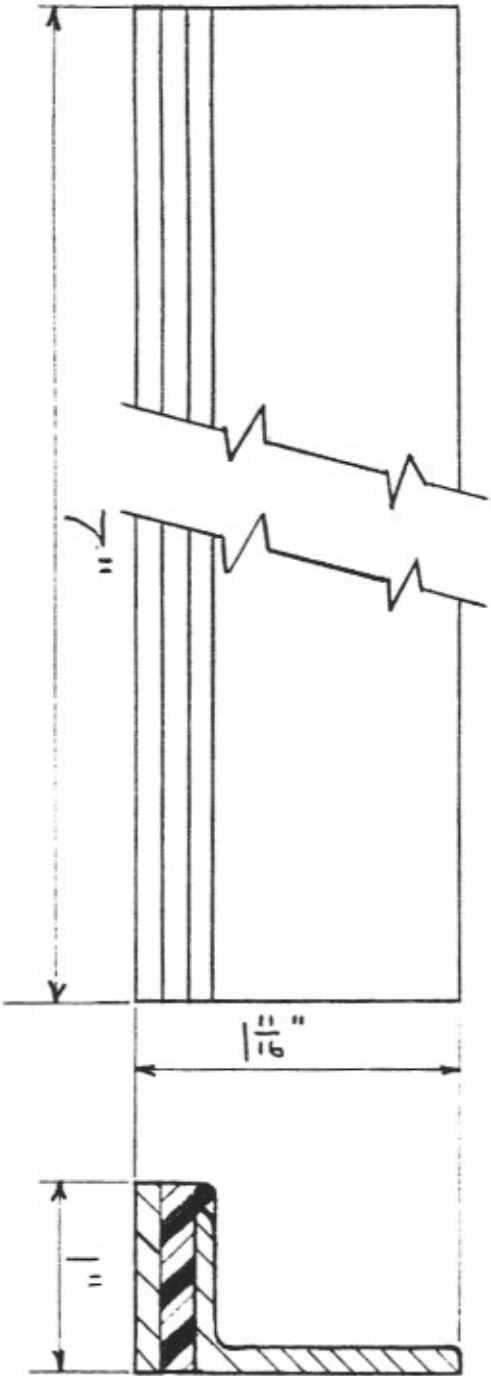
Distributor for

UNIROYAL

WEAR PLATE - CENTER

OEM # GSI-31071

ORDERING REFERENCE - PPC-2097



REFERENCE

PULLMAN STD. DWG 87-A-25

MATERIAL

RUBBER & METAL

POWER PARTS COMPANY

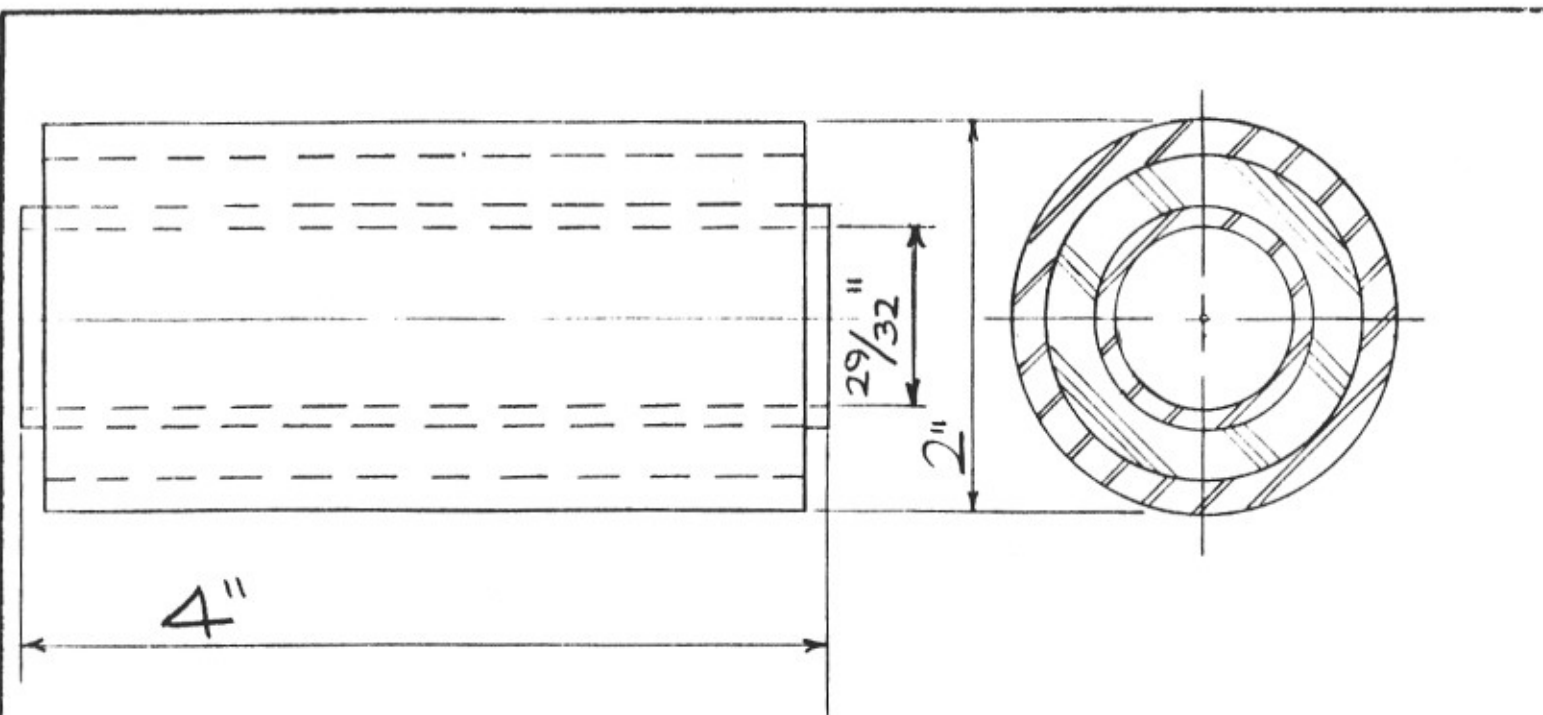
1860 NORTH WILMOT AVENUE
CHICAGO, ILLINOIS 60647

Distributor for
UNIROYAL

WEAR PLATE - GUIDE

O.E.M. PULLMAN STD. 87-A-25

ORDERING REFERENCE P.P.C. 9077



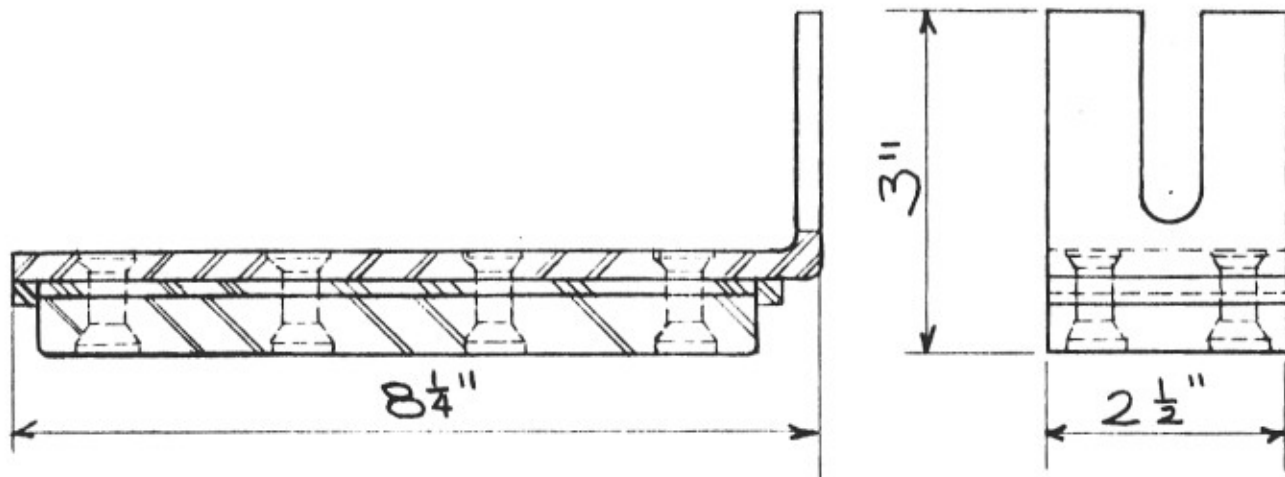
USED ON	
400-401	WATER-BAGG.-
403-404	CARS
454	DINING CAR
494-498	TRAVELLER'S REST
500-517	DELUXE COACHES
588-597	" "
350-363	SLEEPERS
390-394	SLEEPER-OBS.
1692, 1693	DINING CARS
1695	" "
450-453	DINER-LOUNGE
455	" "
518-523	COACHES

REFERENCE —

N. PACIFIC DWG. 52619

MATERIAL
STEEL & RUBBER

<p>POWER PARTS COMPANY 1860 NORTH WILMOT AVENUE CHICAGO, ILLINOIS 60647</p>	<p><i>Distributor for</i> UNIROYAL</p>
WEAR PLATE — COUPLER CARRIER	
O.E.M. # PULLMAN STD. 101-T-14-A	
ORDERING REFERENCE P.P.C. D3615	



MATERIAL
STEEL & UNIROYAL 15175 & LAMINATED PHENOLIC

FOR STYLE #I - SEE P.P.C. D3018

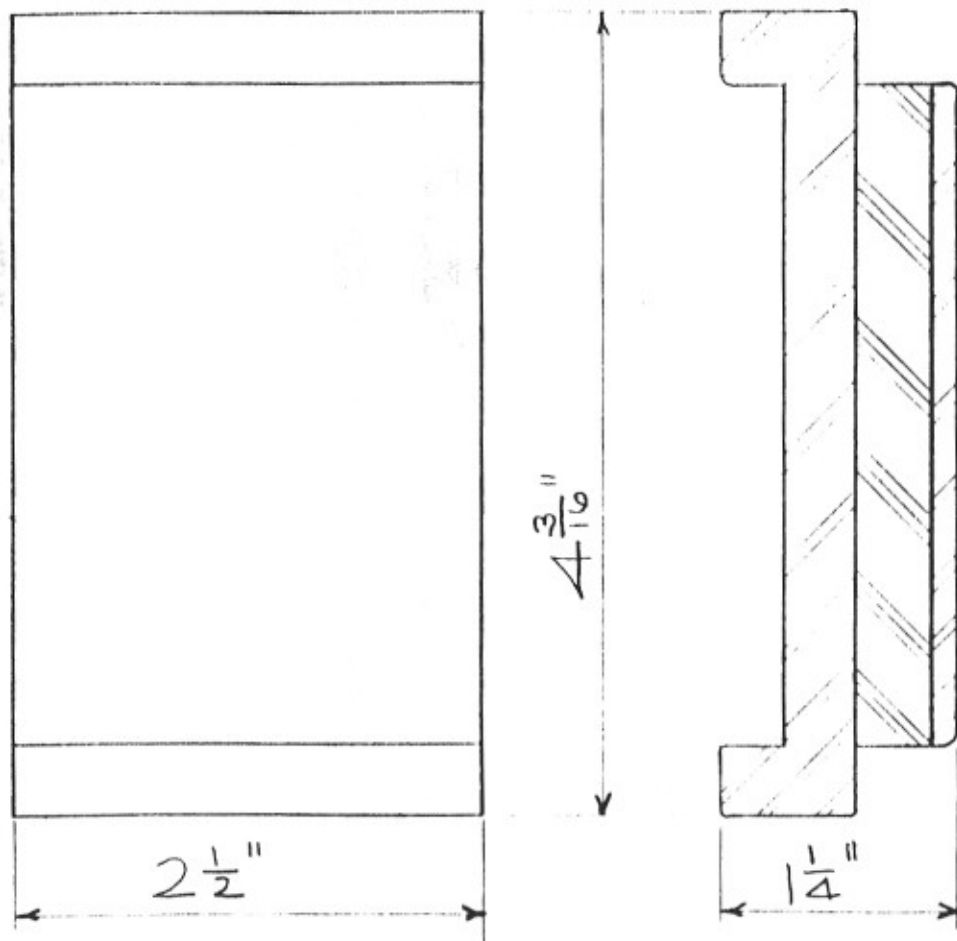
<p>POWER PARTS COMPANY 1860 NORTH WILMOT AVENUE CHICAGO, ILLINOIS 60647</p>	<p><i>Distributor for</i> UNIROYAL</p>
<p>WEAR PLATE - STYLE II</p>	
<p>O.E.M. PULLMAN STD. 125-A-28 FAB.</p>	
<p>ORDERING REFERENCE P.P.C. 8801</p>	

142

[Empty rectangular box]

ORDERING REFERENCE P.P.C. D3618

CLASS	SERIES
OBS.-SLEEP	VISTA-HEIGHTS, VALLEY CANYON, CAVERN
CHAIR	2791-2793 CONVERTED FROM OBS. 3246-3248



MATERIAL
RUBBER & STEEL

REFERENCE
A.T. & S.F. RY.
DWG. 2-A-00-581

POWER PARTS COMPANY

1860 NORTH WILMOT AVENUE

CHICAGO, ILLINOIS 60647

Distributor for

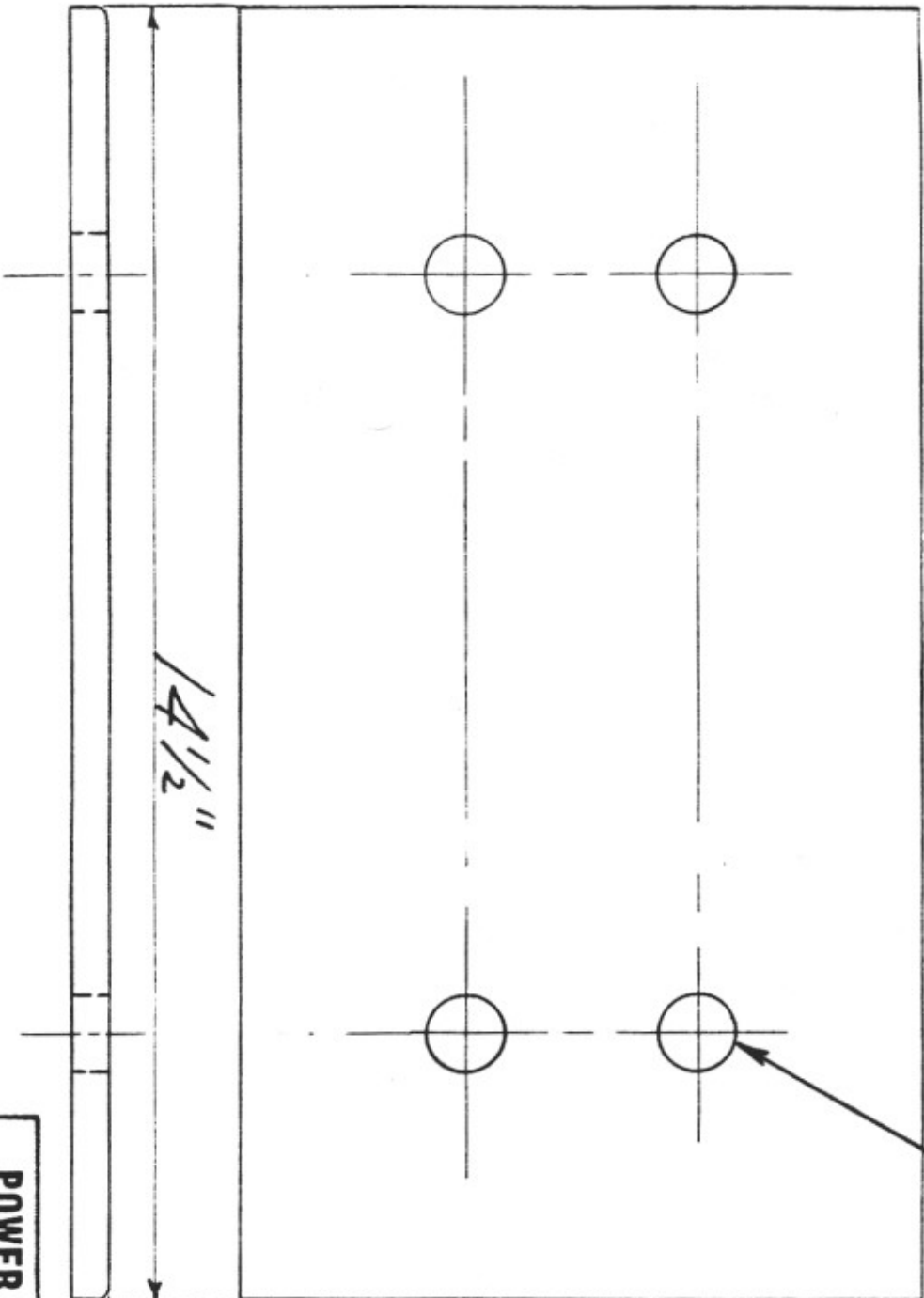
UNIROYAL

WEAR PLATE-UPPER SIDE STEM

O.E.M. # PULLMAN STD. 128-A-25

ORDERING REFERENCE PPC. 8259

4 HOLES $\frac{13}{16}$ " DIA.



14 1/2"

7 1/2"

$\frac{3}{16}$ "

MATERIAL	ORDERING REFERENCE
SPRING STEEL	— 6905 —
MANGANESE STL.	— 9193 —

WEAR PLATE

POWER PARTS COMPANY

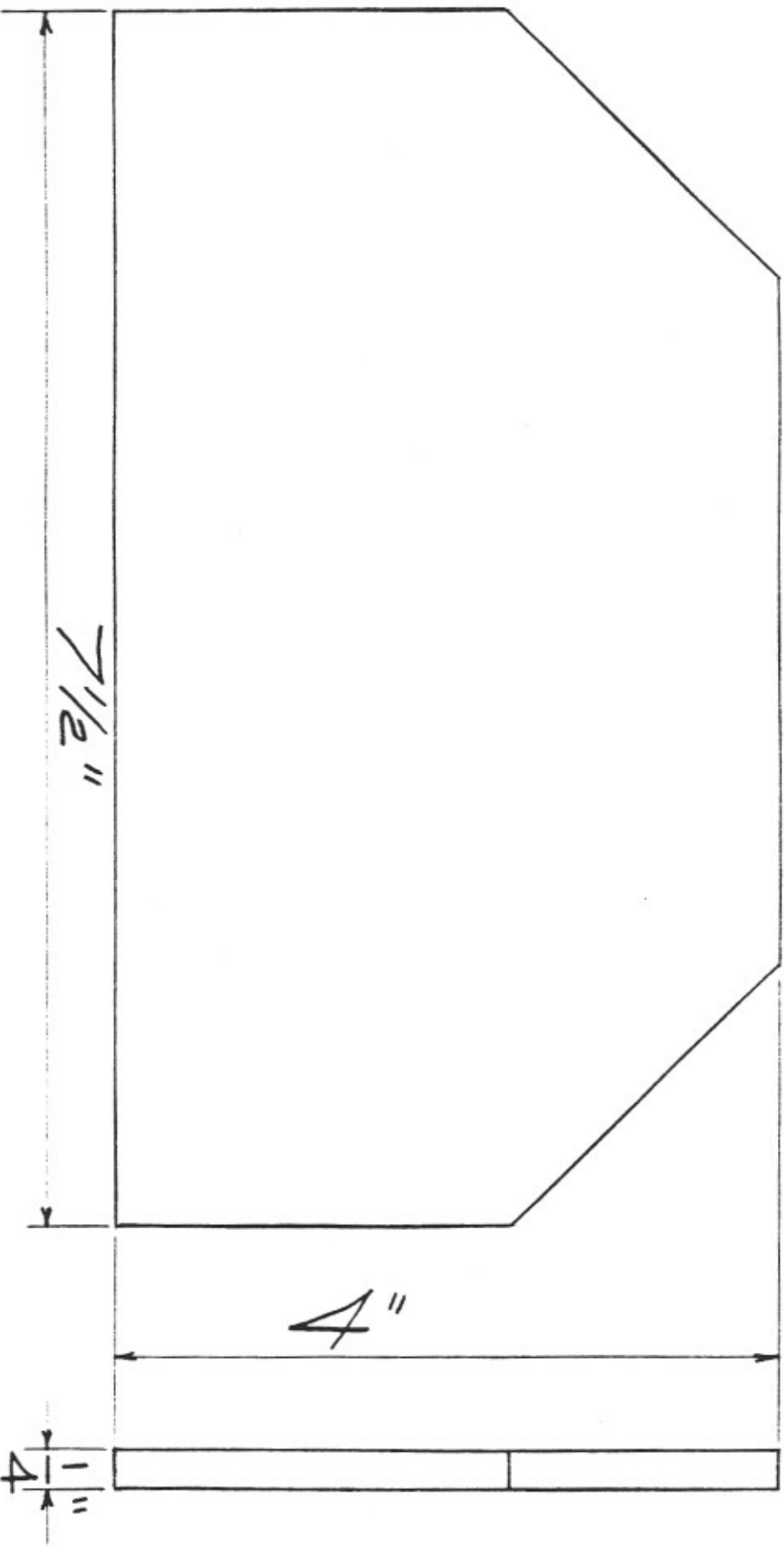
1860 NORTH WILMOT AVENUE
CHICAGO, ILLINOIS 60647

UNIROVAL

Distributor for

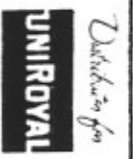
O.E.M.# TIMKEN K-21023

ORDERING REFERENCE (SEE TABLE)



MATERIAL-
SPRING STEEL

POWER PARTS COMPANY
1860 NORTH WILMOT AVENUE
CHICAGO, ILLINOIS 60647

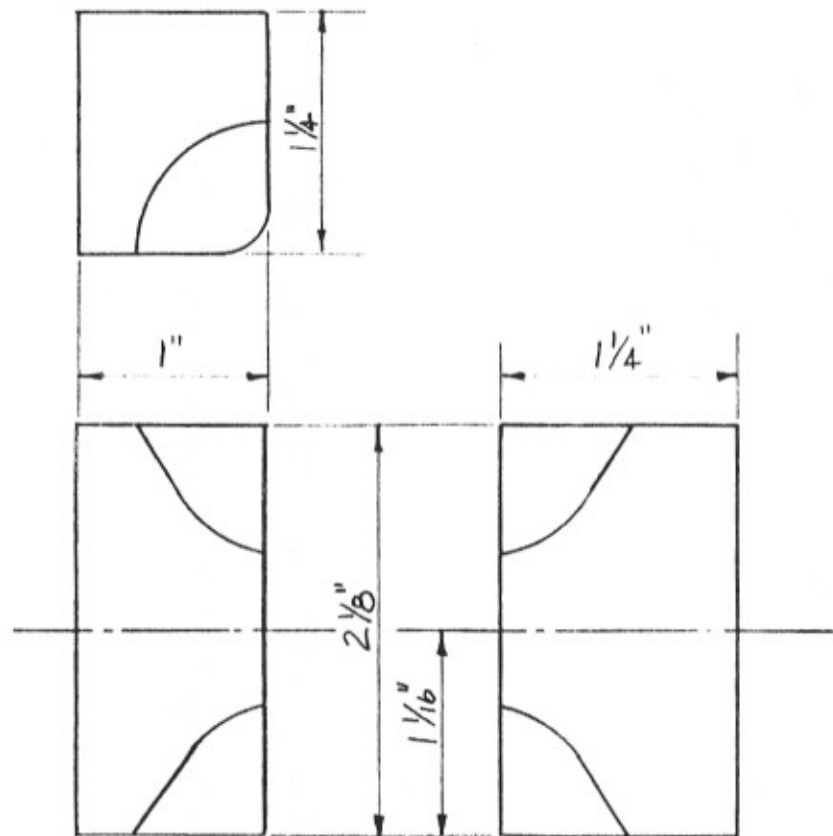


WEAR PLATE

O.E.M.# TIMKEN T-64509

ORDERING REFERENCE P.P.C. 2689

170



MATERIAL
RUBBER

POWER PARTS COMPANY

1860 NORTH WILMOT AVENUE
CHICAGO, ILLINOIS 60647

Distributor for

UNIROYAL

WEATHERSTRIP BLOCK

DEM. PULLMAN STD. 126-A-29

ORDERING REFERENCE PPL-8257