

JULY 5, 1932.



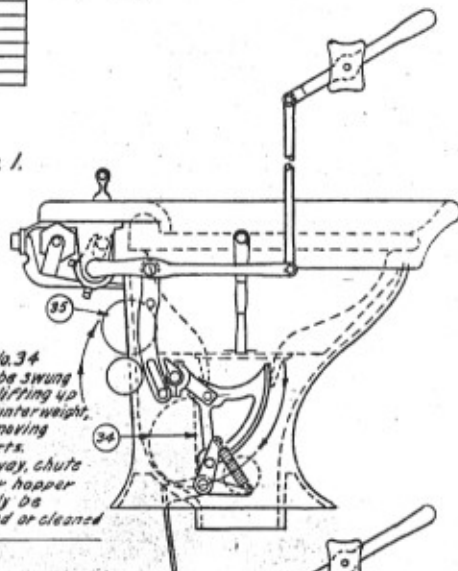
# DUNER No 6 DOUBLE PAN HOPPER- INSPECTION AND MAINTENANCE.

CAR FOLIO- 527

DATE OF REVISIONS

Fig. 1.

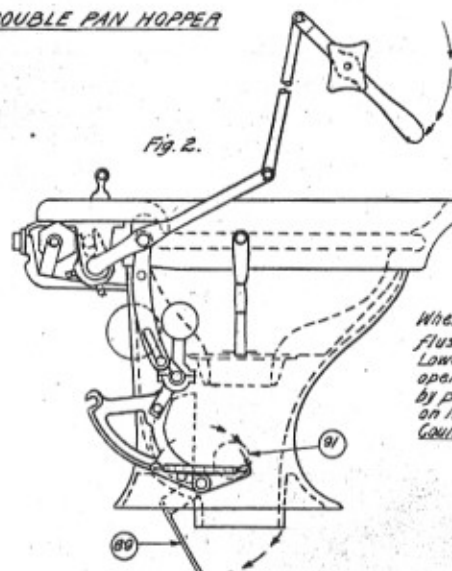
Showing No. 34 Pan can be swung back by lifting up No. 35 Counterweight, without moving other parts. In this way, chute and lower hopper can easily be inspected or cleaned out.



DUNER No. 6 DOUBLE PAN HOPPER

Fig. 2.

When hopper is flushed No. 89 Lower Pan can be opened (swung down) by pressing down on No. 91 Small Counterweight.

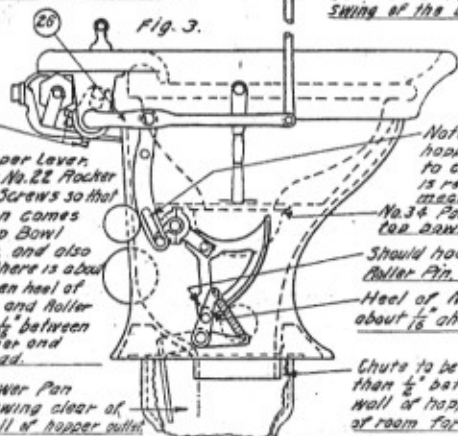


**GENERAL INFORMATION**

Fig. 3.

Set hopper Lever, No. 26, by No. 22 Rocker Cam Set Screws so that No. 34 Pan comes up to Top Bowl shoulder, and also so that there is about  $\frac{1}{8}$ " between heel of Segment and Roller Pin, and  $\frac{1}{8}$ " between 13-C Finger and Crankhead.

No. 89 Lower Pan should swing clear of back wall of hopper outlet.



Note that there is no interference between wall pull lever and rod in the swing of the Lever.

Note slotted No. 18 Link allows hopper water valve, No. 11 or 30, to close as soon as wall Lever is released regardless of lower mechanism.

No. 34 Pan should close up to toe bowl shoulder.

Should hook of No. 85 Segment pass over Roller Pin simply operate hopper again.

Heel of No. 85 Segment should be about  $\frac{1}{8}$ " ahead of Roller Pin.

Chute to be set so that there is not more than  $\frac{1}{8}$ " between inside of chute and outside front wall of hopper outlet. This is to insure plenty of room for No. 89 Lower Pan to swing back.

**IN CASE HOPPER IS CLOGGED.**  
1. DO NOT REMOVE OR DISMANTLE ANY PARTS.  
2. First flush out hopper by operating hopper with wall Lever and then opening No. 89 Lower Pan by swinging No. 91 Small Counterweight downward. Refuse that may lodge in lower part of hopper in most cases will be washed out. See Fig. 2.  
3. If unable to wash out material, it can be poked out with a stick. The No. 34 Pan can be opened (swung down), as shown in Fig. 1, by lifting the No. 35 Counterweight and a stick used to dislodge refuse. If a stick is used, please be careful not to damage pans or other parts by rough handling.  
Note that it is not necessary to remove any parts nor to make any adjustments in order to clean hopper and chute.

DRAWN  
TRACED  
CHECKED

JULY 5, 1932

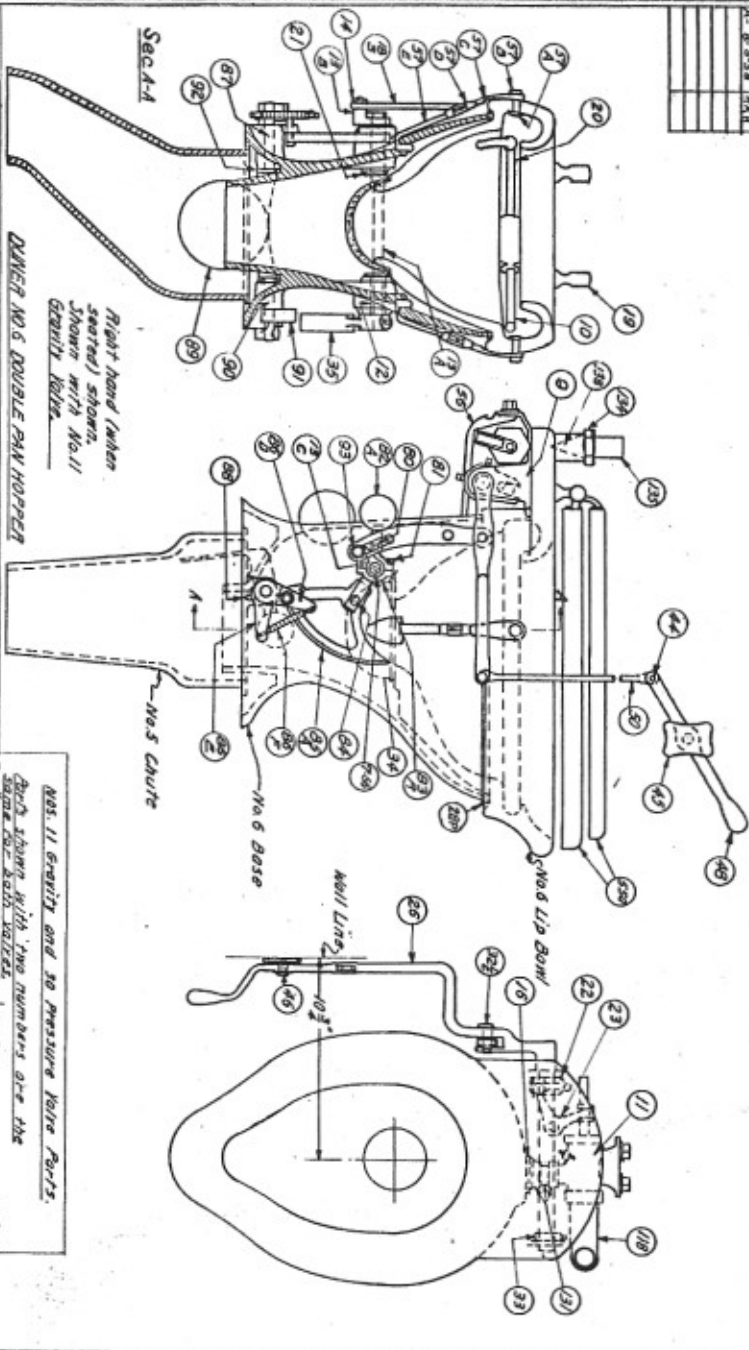


211  
20

DUNER No 6 DOUBLE PAN HOPPER -  
ASSEMBLY AND LIST OF PARTS.

GAR FOLIO-527-A

NO. OF PARTS	1
NO. OF DRAWINGS	1
NO. OF SHEETS	1
NO. OF PAGES	1



DOUBLE PAN PARTS

13-A	Crossshaft
13-B	Finger
13-C	Finger Screw for Clamp Cap
60	Cap Screw
61	Clamp Cap
62-1	Clamp Head R.H.
62-2	Clamp Head L.H.
63-1	Screw and Washer
63-2	Washer
63-3	Washer
63-4	Washer
63-5	Washer
63-6	Washer
63-7	Washer
63-8	Washer
63-9	Washer
63-10	Washer
63-11	Washer
63-12	Washer
63-13	Washer
63-14	Washer
63-15	Washer
63-16	Washer
63-17	Washer
63-18	Washer
63-19	Washer
63-20	Washer
63-21	Washer
63-22	Washer
63-23	Washer
63-24	Washer
63-25	Washer
63-26	Washer
63-27	Washer
63-28	Washer
63-29	Washer
63-30	Washer
63-31	Washer
63-32	Washer
63-33	Washer
63-34	Washer
63-35	Washer
63-36	Washer
63-37	Washer
63-38	Washer
63-39	Washer
63-40	Washer
63-41	Washer
63-42	Washer
63-43	Washer
63-44	Washer
63-45	Washer
63-46	Washer
63-47	Washer
63-48	Washer
63-49	Washer
63-50	Washer
63-51	Washer
63-52	Washer
63-53	Washer
63-54	Washer
63-55	Washer
63-56	Washer
63-57	Washer
63-58	Washer
63-59	Washer
63-60	Washer
63-61	Washer
63-62	Washer
63-63	Washer
63-64	Washer
63-65	Washer
63-66	Washer
63-67	Washer
63-68	Washer
63-69	Washer
63-70	Washer
63-71	Washer
63-72	Washer
63-73	Washer
63-74	Washer
63-75	Washer
63-76	Washer
63-77	Washer
63-78	Washer
63-79	Washer
63-80	Washer
63-81	Washer
63-82	Washer
63-83	Washer
63-84	Washer
63-85	Washer
63-86	Washer
63-87	Washer
63-88	Washer
63-89	Washer
63-90	Washer
63-91	Washer
63-92	Washer
63-93	Washer
63-94	Washer
63-95	Washer
63-96	Washer
63-97	Washer
63-98	Washer
63-99	Washer
63-100	Washer

GENERAL PARTS

6	Top Bowl, Lid and Lid
7	Spinner Seat and Lid
8	Four Holes
9	Four Holes
10	Four Holes
11	Gravily Valve
12	Gravily Valve
13	Gravily Valve
14	Gravily Valve
15	Gravily Valve
16	Gravily Valve
17	Gravily Valve
18	Gravily Valve
19	Gravily Valve
20	Gravily Valve
21	Gravily Valve
22	Gravily Valve
23	Gravily Valve
24	Gravily Valve
25	Gravily Valve
26	Gravily Valve
27	Gravily Valve
28	Gravily Valve
29	Gravily Valve
30	Gravily Valve
31	Gravily Valve
32	Gravily Valve
33	Gravily Valve
34	Gravily Valve
35	Gravily Valve
36	Gravily Valve
37	Gravily Valve
38	Gravily Valve
39	Gravily Valve
40	Gravily Valve
41	Gravily Valve
42	Gravily Valve
43	Gravily Valve
44	Gravily Valve
45	Gravily Valve
46	Gravily Valve
47	Gravily Valve
48	Gravily Valve
49	Gravily Valve
50	Gravily Valve
51	Gravily Valve
52	Gravily Valve
53	Gravily Valve
54	Gravily Valve
55	Gravily Valve
56	Gravily Valve
57	Gravily Valve
58	Gravily Valve
59	Gravily Valve
60	Gravily Valve
61	Gravily Valve
62	Gravily Valve
63	Gravily Valve
64	Gravily Valve
65	Gravily Valve
66	Gravily Valve
67	Gravily Valve
68	Gravily Valve
69	Gravily Valve
70	Gravily Valve
71	Gravily Valve
72	Gravily Valve
73	Gravily Valve
74	Gravily Valve
75	Gravily Valve
76	Gravily Valve
77	Gravily Valve
78	Gravily Valve
79	Gravily Valve
80	Gravily Valve
81	Gravily Valve
82	Gravily Valve
83	Gravily Valve
84	Gravily Valve
85	Gravily Valve
86	Gravily Valve
87	Gravily Valve
88	Gravily Valve
89	Gravily Valve
90	Gravily Valve
91	Gravily Valve
92	Gravily Valve
93	Gravily Valve
94	Gravily Valve
95	Gravily Valve
96	Gravily Valve
97	Gravily Valve
98	Gravily Valve
99	Gravily Valve
100	Gravily Valve

NO. 11 Gravity and No Pressure Valve Parts.

111	Gravily Valve
112	Gravily Valve
113	Gravily Valve
114	Gravily Valve
115	Gravily Valve
116	Gravily Valve
117	Gravily Valve
118	Gravily Valve
119	Gravily Valve
120	Gravily Valve
121	Gravily Valve
122	Gravily Valve
123	Gravily Valve
124	Gravily Valve
125	Gravily Valve
126	Gravily Valve
127	Gravily Valve
128	Gravily Valve
129	Gravily Valve
130	Gravily Valve

131	Gravily Valve
132	Gravily Valve
133	Gravily Valve
134	Gravily Valve
135	Gravily Valve
136	Gravily Valve
137	Gravily Valve
138	Gravily Valve
139	Gravily Valve
140	Gravily Valve

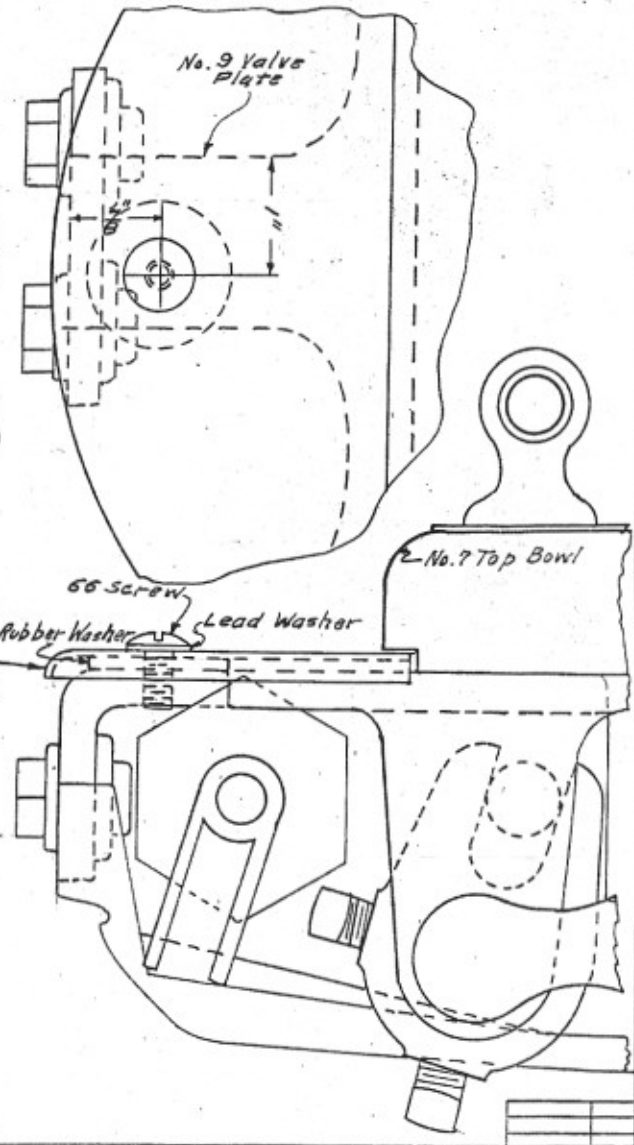
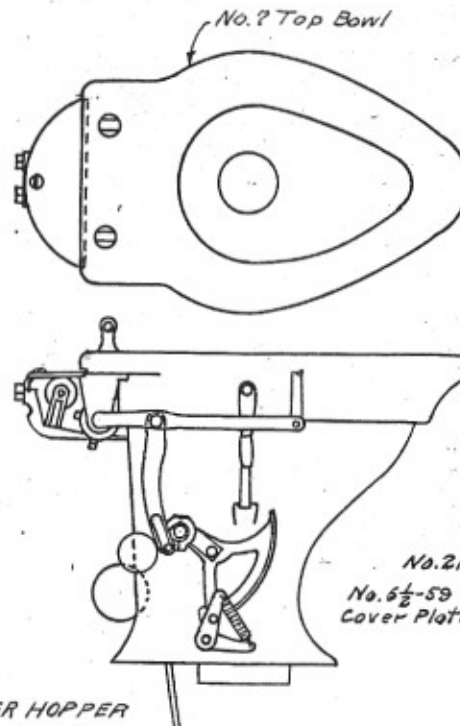
MAY 1, 1936

211  
20DUNER NO. 7 BOWL  
FOR DUNER HOPPERS

CARFOLIO

527-B

REVISIONS



## DUNER HOPPER

## Application of No. 7 Top Bowl.

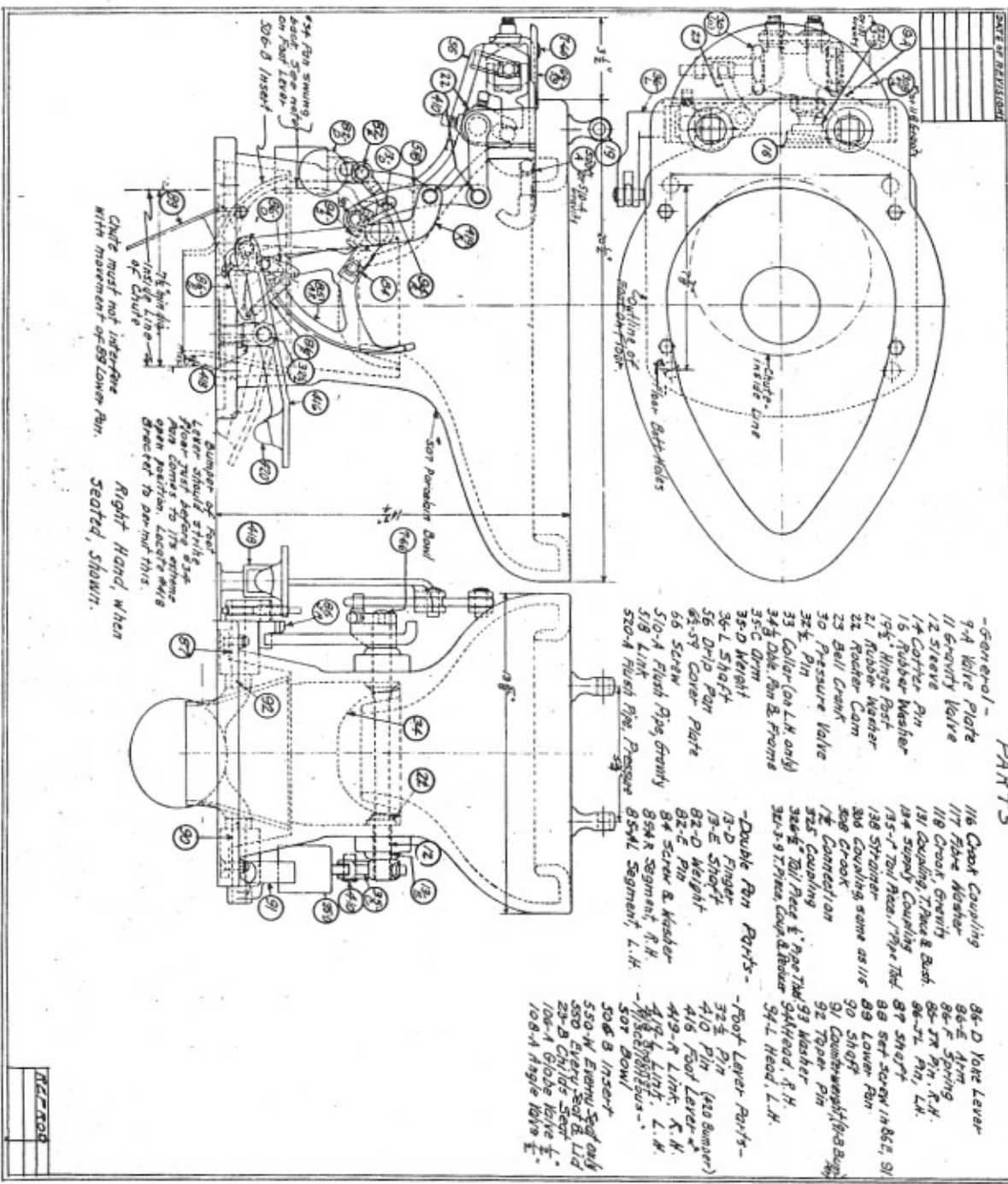
The No. 7 Top Bowl is applied exactly the same as the No. 6 Bowl. All parts are the same for both Bowls except that with the No. 7 there is added for appearance the Cover Plate No. 6 $\frac{1}{2}$ -59. This Plate is held by the No. 66 Screw with Lead Washer on the upper side and No. 21 Rubber Washer underneath to the No. 9 Valve Plate. With No. 7 Top Bowl, the hopper with No. 9 Plate is a \*5 $\frac{1}{2}$  Hopper.

DATE 9-22-38

Sheet No. 20

VIEW IN FULL LINE OPERATION WITH DOUBLE RUN ARRANGEMENT AND FOOT OPERATION LIGHT WEIGHT PASSENGER CARS

CAR FOLIO 527-C



DATE OF REVISION

Sheet No. 20

VIEW IN FULL LINE OPERATION WITH DOUBLE RUN ARRANGEMENT AND FOOT OPERATION LIGHT WEIGHT PASSENGER CARS

CAR FOLIO 527-C

PARTS

- General-
  - 9-4 Valve Plate
  - 11 6-ply Valve
  - 12 Sleeve
  - 14 Carrier Pin
  - 15 Rubber Washer
  - 19 1/2 Hinge Pin
  - 21 Rubber Washer
  - 22 Washer Cam
  - 23 Bell Crank
  - 30 Pressure Valve
  - 32 1/2 Pin
  - 33 Collar (on L.H. only)
  - 34 1/2 Dial, Pin & Frame
  - 35-C O.R.M.
  - 35-D Weight
  - 36-L Shaft
  - 56 D-1/2 Pin
  - 65-57 Cover Plate
  - 66 Screw
  - 510-A Flush Pipe, Gravity
  - 518 Link
  - 520-A Flush Pipe, Pressure
- Double Run Parts-
  - 13-D Finger
  - 13-E Shaft
  - 82-D Weight
  - 82-E Pin
  - 84-R Screw & Washer
  - 85-M Segment, R.H.
  - 85-N Segment, L.H.
- Foot Layer Parts-
  - 32 1/2 Pin
  - 410 Pin (see bumper)
  - 416 Foot Lever
  - 418-A Link, R.H.
  - 419-A Link, L.H.
  - 419-B Link, L.H.
  - 419-C Link, L.H.
  - 419-D Link, L.H.
  - 507 Bowl
- Foot Lever Parts-
  - 508-B Insert
  - 530-W Eddy Seal only
  - 530-E Eddy Seal & Lid
  - 23-B Child's Seat
  - 106-A Globe Valve 1"
  - 108-A Angle Valve 1"
- 116 Cast Coupling
- 117 Flange Washer
- 118 Crook Gravity
- 121 Coupling T-Piece & Bush
- 124 Spring Coupling
- 135-1/2 Top Piece, Pipe Tool
- 136 Strainer
- 138 Coupling, same as 116
- 308 Crook
- 17 Connection
- 325 Coupling
- 326 1/2 Top Piece & Pipe Tool
- 327-1 T-Piece, Coupling & Bush
- 34-L Head, L.H.
- 86-D Valve Lever
- 86-E Arm
- 86-F Spring
- 86-G Pin, R.H.
- 86-H Pin, L.H.
- 86-I Pin, L.H.
- 87 Shaft
- 88 Set Screw, 1/8" Dia., S.I.
- 89 Lower Pin
- 90 Shaft
- 91 Counterweight, 1/2" Dia., S.I.
- 92 Top Pin
- 93 Washer
- 324 1/2 Top Piece, Coupling & Bush

CHUTE must not interfere with movement of 69 Lower Pin. Right Hand, when seated, shows.

Bumper of foot lever should strike floor just before the open position. Latch will direct to down this.

44 Pin, swung over foot lever. 50-B Insert

Sorter Bowl

Chute inside line

Double Run Parts

Foot Layer Parts

Foot Lever Parts

10/2/38